

IWAKI
HI-CERA
PUMPS

V-07AFP06-P



High precision fixed dosing pump optimized for dialysis machines

Example of applications: Delivery of A and B dialysates and liquid removal

High-temperature capability

Can be cleaned with water as hot as 95°C.

Variable discharge

Discharge rate of 0.1 or 0.2 milliliters per shot can be selected by adjusting the angle setting on the pump head. (Configurable at time of order)

Rotation sensor

With an integrated rotation sensor, the pump quickly detects errors and easily monitors discharge rates.

High torque motor

The V-07AFP06 is equipped with a bipolar stepper motor. The motor generates approximately twice the torque output, with the same electric current, than the conventional unipolar motor. This eliminates problems such as plunger lock.

Cleaning port

The cleaning port prevents seizing of the plunger. The plunger surface is kept clean at all times, allowing it to operate freely whenever needed.

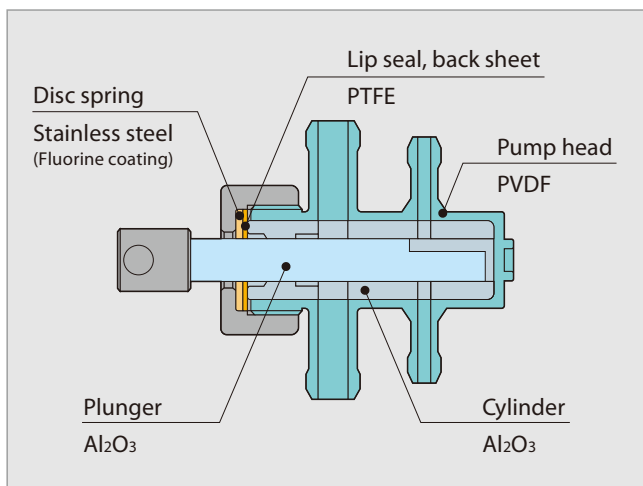
Specifications

V - 07 A F P 06 - P		
Model	01	02
1 shot flow	0.1 mL	0.2 mL
Flow rate	0.5 to 30 mL/min	1 to 60 mL/min
Stroke rate	5 to 300 rpm	
Precision dosing	±1 % ^{Note 1}	
Max. discharge pressure	200 kPa	
Liquid temperature	10 to 40 °C	
Temperature for hot water cleaning	Max. 95 °C (do not clean for more than 30 minutes at a time)	
Atmosphere temperature	0 to 50 °C ^{Note 2}	
Weight	700 g	
Dimensions	143 mm × 78.5 mm × 77 mm	
Motor	2-phase bipolar stepper motor	
Power voltage range	24 VDC	

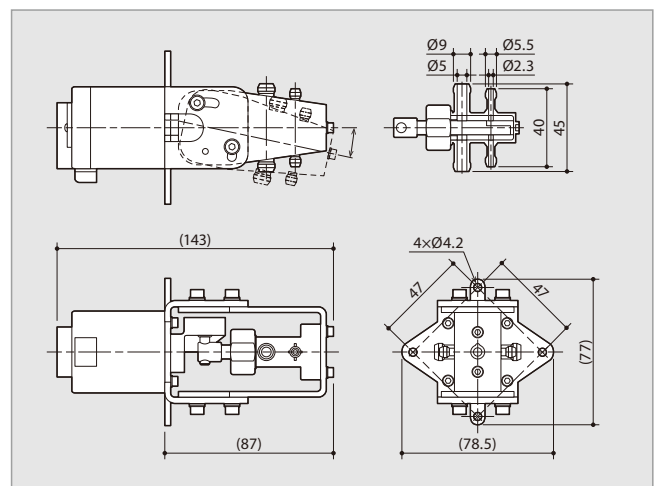
Note 1: Operated under the following conditions: 100 rpm speed, 10 shots and no pressure.

Note 2: 0 to 60°C during cleaning

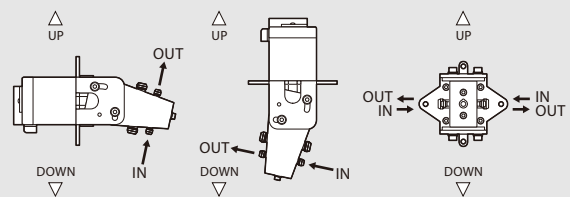
Wet end materials



Dimensions in mm



Mounting directions



IWAKI CO., LTD. 6-6 Kanda-Sudacho 2-chome Chiyoda-ku Tokyo 101-8558 Japan
TEL : (81)3 3254 2935 FAX : 3 3252 8892

()Country codes

IWAKI has global network.
Please find your distributor location at

www.iwakupumps.jp

European office : IWAKI Europe GmbH
Germany : IWAKI Europe GmbH
Holland : IWAKI Europe GmbH (Netherlands Branch)
Italy : IWAKI Europe GmbH (Italy Branch)
Spain : IWAKI Europe GmbH (Spain Branch)
Belgium : IWAKI Belgium N.V.
Denmark : IWAKI Nordic A/S
Finland : IWAKI Suomi Oy
France : IWAKI France S.A.
Norway : IWAKI Norge AS
Sweden : IWAKI Sverige AB
U.K. : IWAKI Pumps (UK) Ltd.

TEL: (49)2154 9254 0 FAX: 2154 9254 48
TEL: (49)2154 9254 50 FAX: 2154 9254 55
TEL: (31)74 2420011 FAX: (49)2154 925448
TEL: (39)0444 371115 FAX: 0444 335350
TEL: (34)93 37 70 198 FAX: 93 47 40 991
TEL: (32)13 67 02 00 FAX: 13 67 20 30
TEL: (45)48 24 2345 FAX: 48 24 2346
TEL: (358)9 2745810 FAX: 9 2742715
TEL: (33)1 69 63 33 70 FAX: 1 64 49 92 73
TEL: (47)23 38 49 00 FAX: 23 38 49 01
TEL: (46)8 511 72900 FAX: 8 511 72922
TEL: (44)1743 231363 FAX: 1743 366507

U.S.A. : IWAKI America Inc. TEL: (1)508 429 1440 FAX: 508 429 1386
Argentina : IWAKI America Inc. (Argentina Branch) TEL: (54)11 4745 4116
Singapore : IWAKI Singapore Pte Ltd. TEL: (65)6316 2028 FAX: 6316 3221
Indonesia : IWAKI Singapore (Indonesia Branch) TEL: (62)21 6906606 FAX: 21 6906612
Malaysia : IWAKI Sdn. Bhd. TEL: (60)3 7803 8807 FAX: 3 7803 4800
Australia : IWAKI Pumps Australia Pty Ltd. TEL: (61)2 9899 2411 FAX: 2 9899 2421
Hong Kong : IWAKI Pumps Co., Ltd. TEL: (852)2607 1168 FAX: 2607 1000
China : GFTZ IWAKI Engineering & Trading Co., Ltd. TEL: (86)20 84350603 FAX: 20 84359181
 : IWAKI Pumps (Shanghai) Co., Ltd. TEL: (86)21 6272 7502 FAX: 21 6272 6929
Korea : IWAKI Korea Co.,Ltd. TEL: (82)2 2630 4800 FAX: 2 2630 4801
Taiwan : IWAKI Pumps Taiwan Co., Ltd. TEL: (886)2 8227 6900 FAX: 2 8227 6818
Thailand : IWAKI (Thailand) Co.,Ltd. TEL: (66)2 322 2471 FAX: 2 322 2477
Vietnam : IWAKI Pumps Vietnam Co., Ltd. TEL: (84)613 933456 FAX: 613 933399

Caution for safety use: Before use of pump, read instruction manual carefully to use the product correctly.
Actual pumps may differ from the photos. Specifications and dimensions are subject to change without prior notice. For further details please contact us.

Legal attention related to export.
Our products and/or parts of products fall in the category of goods contained in control list of international regime for export control. Please be reminded that export license could be required when products are exported due to export control regulations of countries.

The posting and copying from this catalogue without permission is not accepted firmly.

