



The Heart of Industry

IWAKI

IWAKI
SELF-PRIMING
MAGNETIC DRIVE
PUMPS

SMX-F

Main material

CFRETFE



Solutions for chemical handling applications

Chemically resistant self-priming magnetic drive pumps which can tolerate abnormal operation



The SMX-F is a horizontal self-priming magnetic drive pump made from fluoro-resin. Our original self-radiation structure enhances resistance to dry running, cavitation, and closed-discharge operation. In addition, the use of standard motors extends the range of application.



SMX-F543

SMX-F441

SMX-F221

Excellent corrosion resistance

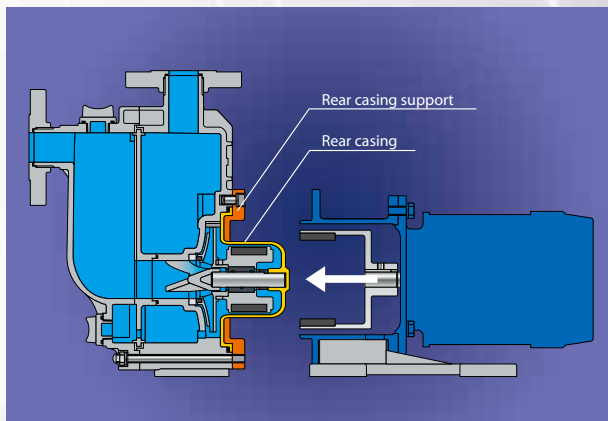
The casings, impeller assembly and magnet capsule are made of fluororesin(CFRETFE). Other wet-end parts are made of highly corrosion resistant materials such as carbon, ceramic and the like. The pumps can handle almost type of chemicals including strong acid/alkali.

Expanded versatility

The SMX-F has a modular structure to handle liquids with high specific gravities. Use of standard motors extends the range of liquid application.

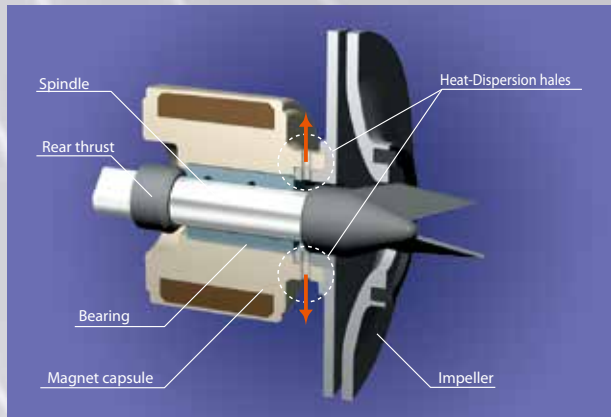
Easy maintenance

The pump wet end can be removed from the motor as a complete assembly without dismantling, thanks to an additional rear casing support. The pump wet end comprises the minimum number of parts for easy maintenance.



Enhanced durability under abnormal operation

Our original self-radiation structure efficiently disperses bearing friction heat to protect the pump under abnormal operating conditions. In addition, our non-contact structure prevents contact between rear thrust face and bearing, to eliminate heat buildup during dry running.



Fast self-priming

The SMX-F requires no external self-priming chambers or valves. The gas-liquid separation design ensures fast self-priming. An exceptional self-priming duration of up to 4m in only 90 seconds is now possible.

Rear casing support

The pump wet end is easily removed from the motor by removal of 4 mounting bolts on the motor bracket. The rear casing support performs easy maintenance and draining of any residual liquid at other place.

Examples of application

Pumping up from underground tank

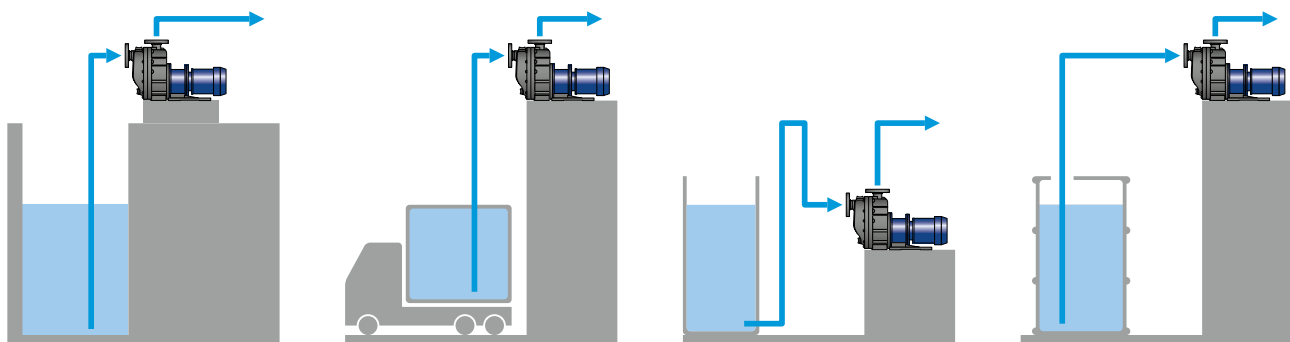
- Underground tank at chemical plant.
- Underground tank or pit of waste plant.

Pumping up and out from top of tank and tanker truck

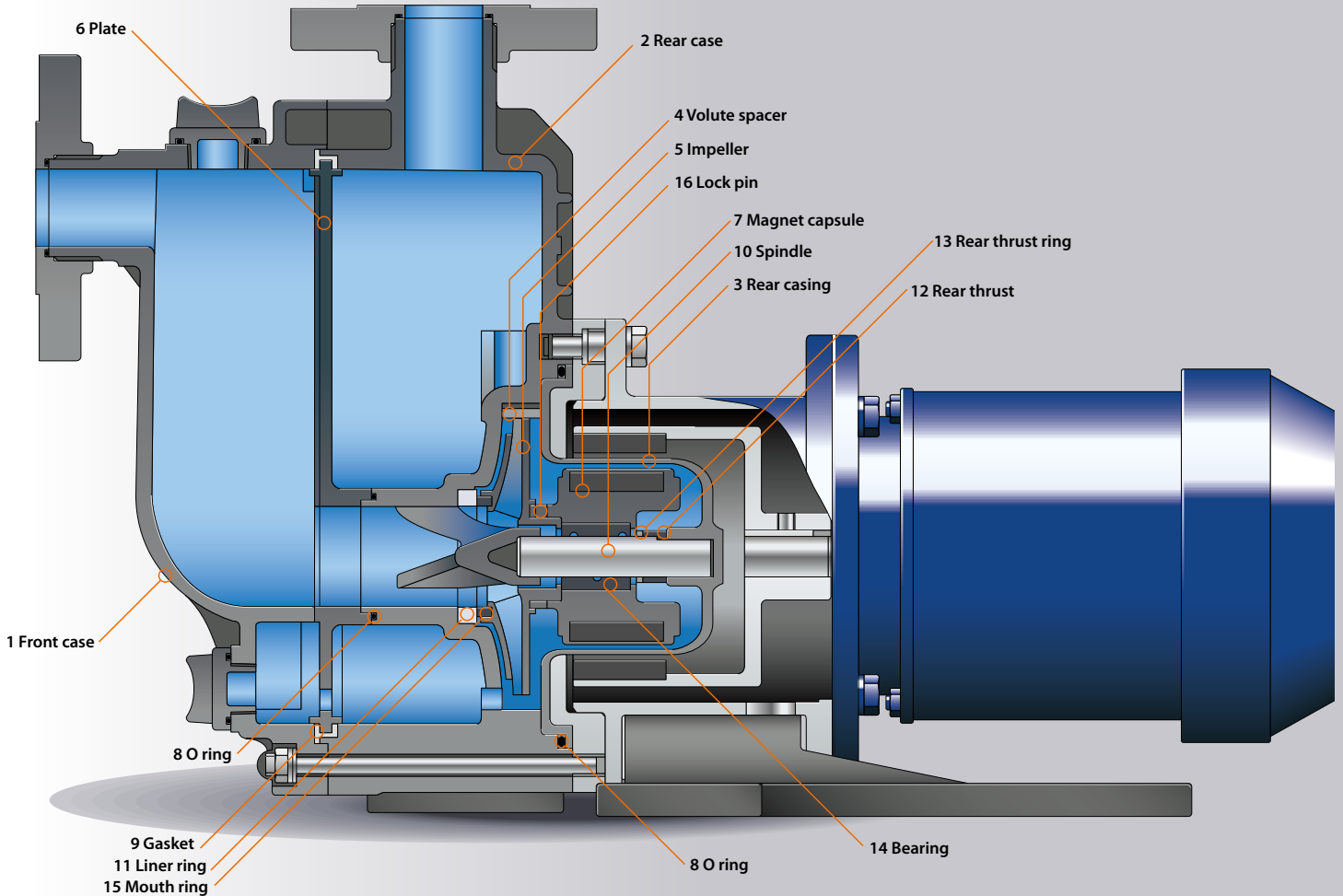
- Transferring etching and plating chemical from chemical bath.
- Sucking up chemical from truck.
- Pumping up from top of tank.

Transferring chemical from tank to tank

- Transferring from main tank to daily tank.
- Refilling chemical from drum to tank.



Reliability and performance are enhanced by our unique design

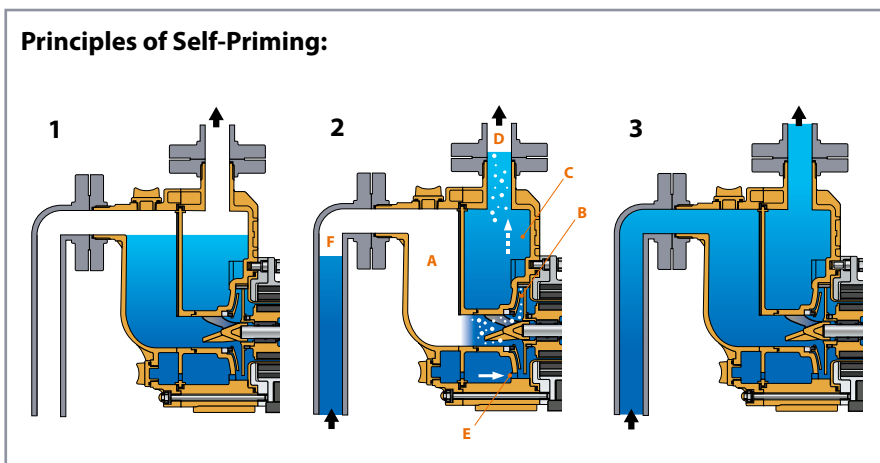


Wet-end materials

Name of part	Model	CF	RF	KK
1 Front case				
2 Rear case				
3 Rear casing			CFRETFE	
4 Volute spacer				
5 Impeller				
6 Plate				
7 Magnet capsule				
8 O ring			FKM/EPDM	
9 Gasket				
10 Spindle		High purity alumina ceramic		SiC
11 Liner ring				
12 Rear thrust	SMX-F22,44 SMX-F54		CFRETFE High purity alumina ceramic	SiC
13 Rear thrust ring	Note:2	—	High purity alumina ceramic	—
14 Bearing		High density carbon	PTFE (With filler)	SiC
15 Mouth ring			PTFE (With filler)	
16 Lock pin	Note:1		CFRETFE	

Note1: 54 type only

Note2: Exclusive for SMX-F22RF, 44RF



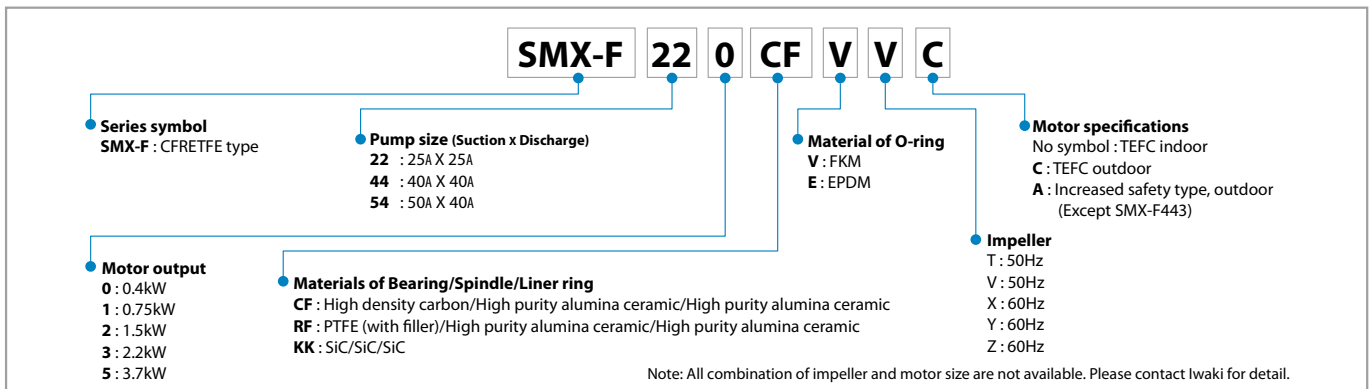
- 1** Prime the pump with liquid.
- 2** On starting, the pump will suck both gas and liquid into its inlet. This mixture moves through front case **A** to the front casing, where it is agitated by the impeller. The mixture is discharged through pump chamber **B** to rear case **C**, where gas and liquid separation then occurs. Gas is bled from the discharge port **D** while some liquid is retained. Liquid in the rear case **C** is fed back through circulation hole **E** to the front casing, where it is again mixed with entrained gas by the impeller. This recirculation & bleeding process continues until gas from the suction side **F** is completely expelled.
- 3** Once all gas is expelled, normal centrifugal pump operation is resumed. Sufficient liquid remains in the casing for subsequent self-priming once the pump is stopped.

Specifications

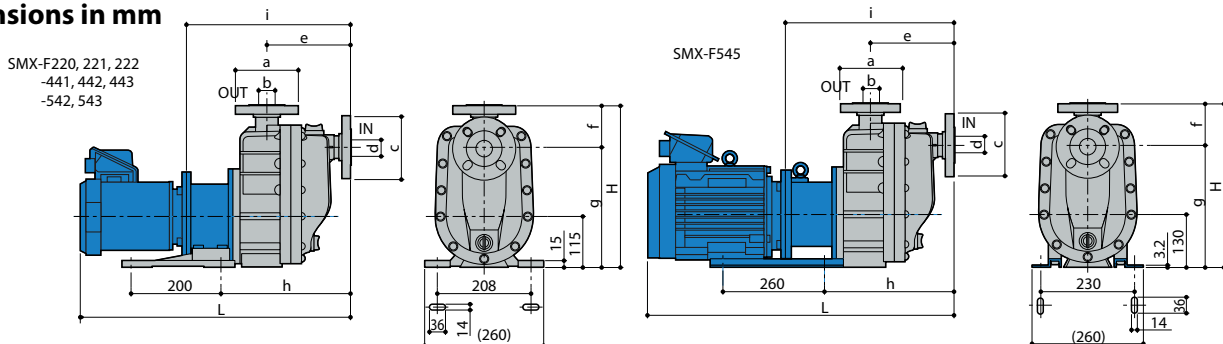
Model	Connection Suction X Discharge	Impeller	Cycle (Hz)	Min. capacity (L/min)	Standard specification (L/min-m)	Max. capacity (L/min)	Motor (kW 2p)	Resisting pressure limit (MPa)	Mass (kg)			
SMX-F220	25A×25A	V	50	10	80 - 7.5	125	0.4	0.28	23			
		Y	60		80 - 6.8	90						
		T	50		100 - 12.5	115						
SMX-F221		V	50		80 - 7.5	125	0.75		0.28	32.5		
		X	60		100 - 12.0	115						
		Y	60		80 - 6.8	130						
SMX-F222		T	50		100 - 12.5	155	1.5		0.28	41.5		
		X	60		100 - 12.0	160						
SMX-F441		40A×40A	T		50	10	100 - 13.5		135	0.75	0.33	34
	Y		60	150 - 10.6	220							
SMX-F442	T		50	150 - 11.8	280		1.5	0.33	43			
	X		60	200 - 17.0	340							
	Y		60	150 - 10.6	280							
SMX-F443	X		60	200 - 17.0	340		2.2	0.33	47			
SMX-F542	50A×40A		V	50	20		100 - 19.8	155	1.5	0.40		52
			T	50			250 - 16.0	440				
			SMX-F543	V			50	200 - 16.0	410			2.2
Z		60		250 - 18.0		420						
SMX-F545		T		50		250 - 16.0	440	3.7	0.40		74	
		V	50	200 - 16.0		410						
		X	60	300 - 24.0		520						
		Y	60	300 - 21.0		500						
		Z	60	250 - 18.0		420						

- The self-priming height limit noted above refers to a liquid equivalent to fresh water at 20°C. The self-priming height limit varies with the liquid temperature and the type of liquid.
- Temperature range of handled liquid: 0 to 80°C (The self-priming height limit decreases at high temperatures.)
- Mass weight includes a outdoor motor.

Pump identification



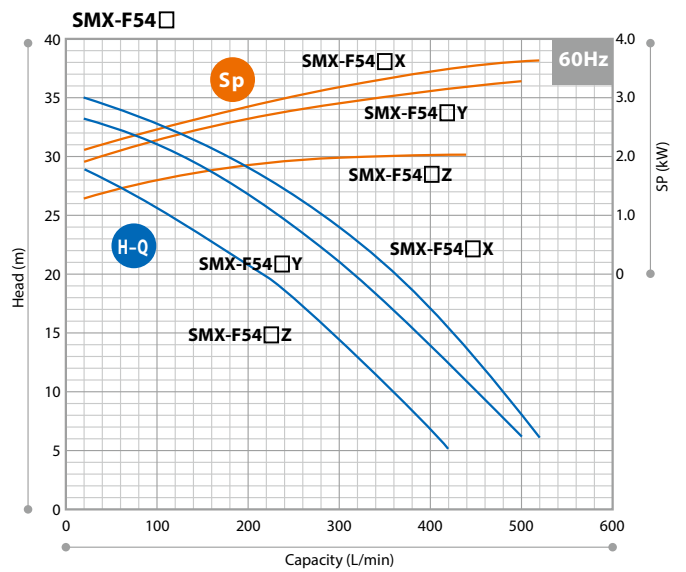
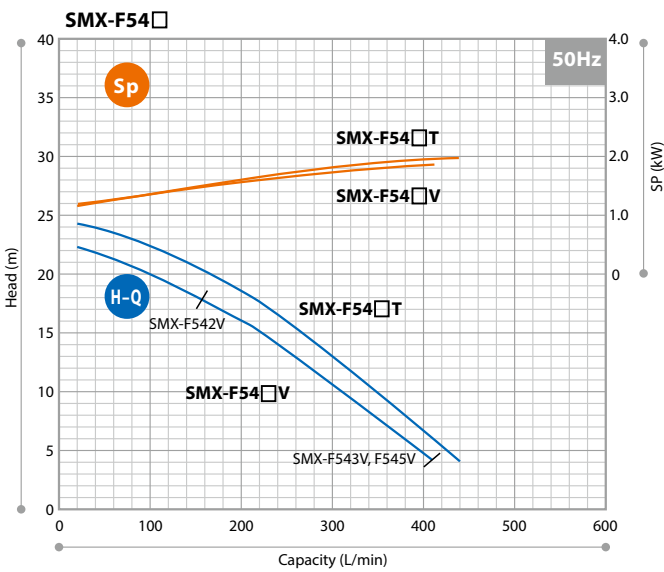
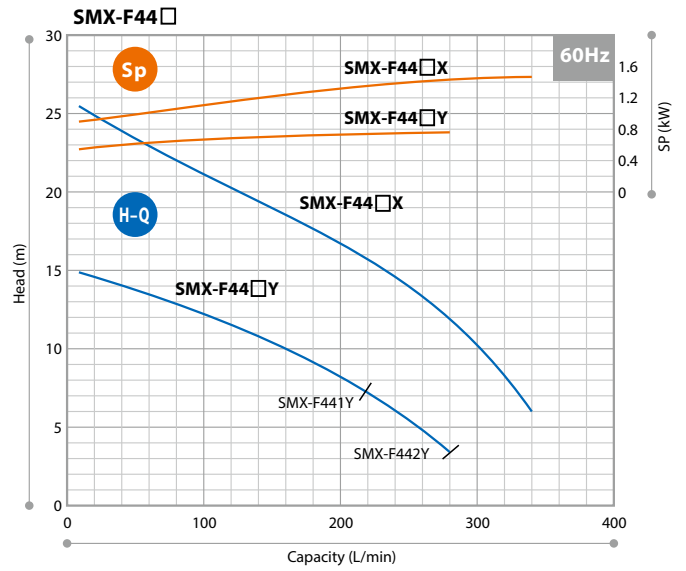
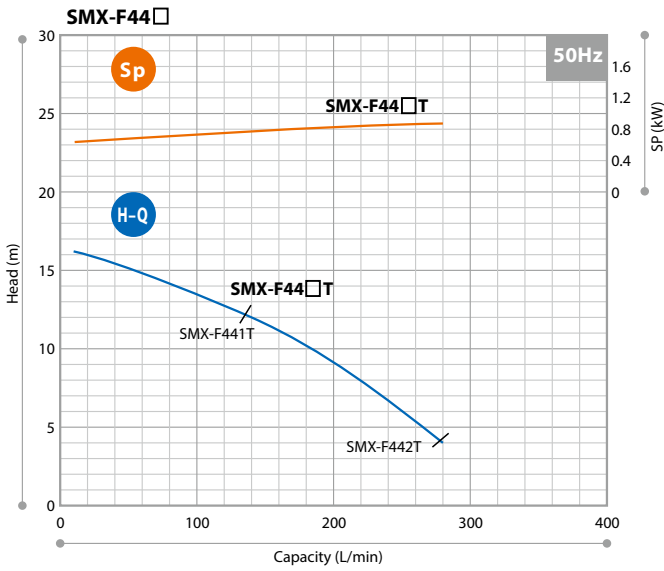
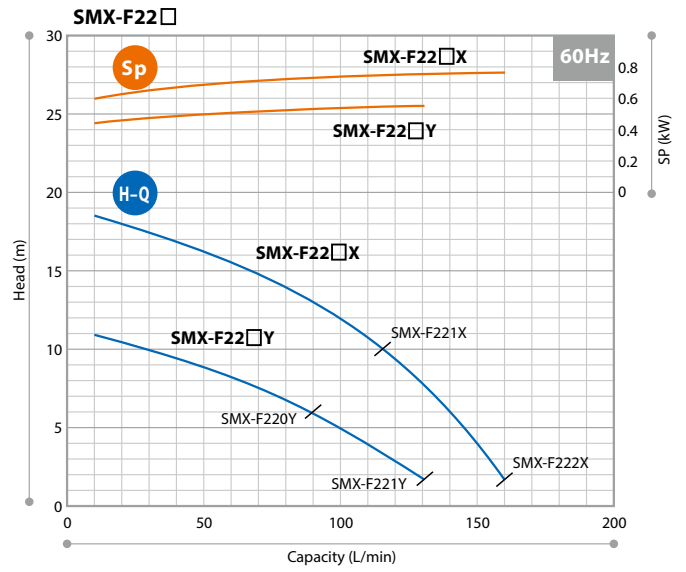
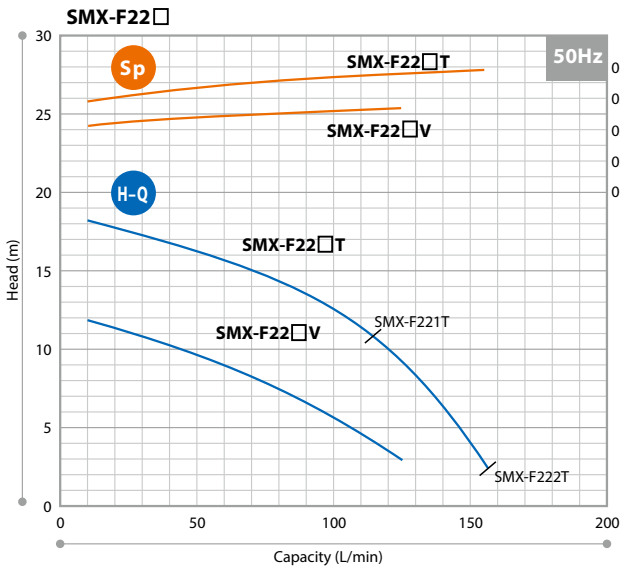
Dimensions in mm



Model	(H)	(L)	a	b	c	d	(e)	(f)	g	(h)	(i)	j
SMX-F220		539									308	
SMX-F221	329	556	ø125	ø25	ø125	ø25	162	74	255	240	320	115
SMX-F222		605									332	
SMX-F441		602									366	
SMX-F442	364	651	ø140	ø40	ø140	ø40	188	93	271	285	378	115
SMX-F443		680										
SMX-F542		661										
SMX-F543	389	690	ø140	ø40	ø155	ø50	204	100	289	310	388	130
SMX-F545		734									408	

Note: The dimensions may differ with the type of motor installed.

Performance curves



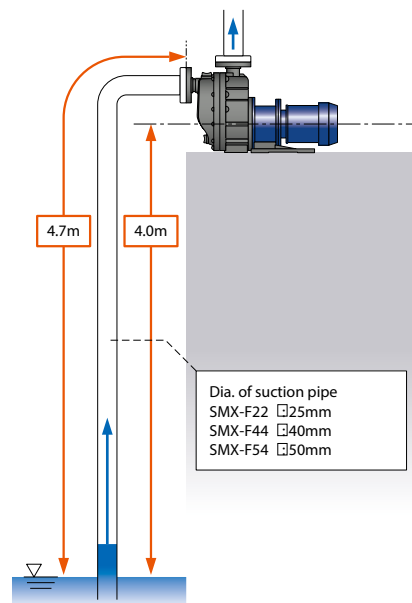
• The shaft power curves shown above are calculated by using our standard test motor. Contact us for detail.

Precautions on the selection of pumps

- 1.The performance curves on this catalogue are based on the operation with 20°C clean water in flooded suction. Keep a margin (3% of the curves) when selecting the pump.
- 2.The magnetic pump cannot run continuously with a closed-discharge. Be sure to observe the minimum flow rate.
The minimum flow rate SMX-F22□: 10L/min
SMX-F44□: 10L/min
SMX-F54□: 20L/min
- 3.Select a pump model according to liquid specific gravity. Always keep 10% allowance to motor output.
Pump shaft power Sp x Specific gravity x 1.1 (margin) ≤ Motor output
- 4.The self-priming performance (4m in 90 seconds) is based on the operation with 20°C clean water on the right piping condition. Self-priming performance varies with liquid temperature, characteristics and piping conditions. Obtain a rough guide of the highest possible self-priming height at each liquid specific gravity by the following formula.
The highest possible self-priming height[m] = Self-priming height with clean[m] / Liquid specific gravity

Self-priming considerations

- 1.The diameter of the piping on the suction side should be the same as that of the pumps inlet port (22□: 25mm, 44□: 40mm, 54□: 50mm), and the length of the piping should be limited to less than 4.7m. A larger pipe diameter or longer piping could adversely affect the self-priming performance, or could even hinder the self-priming process itself.
- 2.In cases where the liquid level fluctuates, take the height from the lowest liquid level as the maximum self-priming height.
- 3.Always perform priming before first operation, and start the pump only after the pump chamber has been filled with the handled liquid.
- 4.To prevent early deterioration, avoid frequent start/stop of the pump.
- 5.If a foot valve is installed on the suction pipe, pipe resistance may increase so that the pump cannot suck liquid enough.



Optional accessories

Iwaki pump protector DRN series

Detects unusual pump operating conditions including dry-running and overload

The DRN model protects equipment (including pumps) from damage!
Minimizes production downtime.
Identifies possible causes of alarms so they can be investigated and addressed.



- Multiple Input Two analog, one digital, one temperature input and one current input
- Easy operation Equipped with EASY setup mode to remember the operation status and set the lower/upper limit values, as well as AUTO setup mode
- Bar graph Visible indication of current operating status
- Logging capability Data log feature for preventative maintenance scheduling
- Communication RS485 external communication capability

Specifications

Model	DRN-01	DRN-02
Amperometric range	0.5-30.00A	5.0-200.0A
Unit's source voltage	AC100-240V 50/60Hz 10VA	
Operating temperature	0-40°C	
Operating humidity	35-85%RH	

IWAKI CO., LTD. 6-6 Kanda-Sudacho 2-chome Chiyoda-ku Tokyo 101-8558 Japan TEL : (81)3 3254 2935 FAX : 3 3252 8892

IWAKI has global net work. Please find your distributor location at www.iwakupumps.jp

European office : **IWAKI Europe GmbH**
Germany : **IWAKI Europe GmbH**
Holland : **IWAKI Europe GmbH** (Netherlands Branch)
Italy : **IWAKI Europe GmbH** (Italy Branch)
Spain : **IWAKI Europe GmbH** (Spain Branch)
Belgium : **IWAKI Belgium N.V.**
Denmark : **IWAKI Nordic A/S**
Finland : **IWAKI Suomi Oy**
France : **IWAKI France S.A.**
Norway : **IWAKI Norge AS**
Sweden : **IWAKI Sverige AB**
U.K. : **IWAKI Pumps (UK) Ltd.**

TEL: (49)2154 9254 0 FAX: 2154 9254 48
TEL: (49)2154 9254 50 FAX: 2154 9254 55
TEL: (31)74 2420011 FAX: (49)2154 925448
TEL: (39)0444 371115 FAX: 0444 335350
TEL: (34)93 37 70 198 FAX: 93 47 40 991
TEL: (32)13 67 02 00 FAX: 13 67 20 30
TEL: (45)48 24 2345 FAX: 48 24 2346
TEL: (358)9 2745810 FAX: 9 2742715
TEL: (33)1 69 63 33 70 FAX: 1 64 49 92 73
TEL: (47)23 38 49 00 FAX: 23 38 49 01
TEL: (46)8 511 72900 FAX: 8 511 72922
TEL: (44)1743 231363 FAX: 1743 366507

()Country codes

U.S.A. : **IWAKI America Inc.**
Argentina : **IWAKI America Inc.** (Argentina Branch)
Brasil : **IWAKI Do Brasil Comercio De Bombas Hidraulicas LTDA.**
Singapore : **IWAKI Singapore Pte Ltd.**
Indonesia : **IWAKI Singapore** (Indonesia Office)
Malaysia : **IWAKIm Sdn. Bhd.**
Australia : **IWAKI Pumps Australia Pty Ltd.**
Hong Kong : **IWAKI Pumps Co., Ltd.**
China : **GFTZ IWAKI Engineering & Trading Co., Ltd.**
Korea : **IWAKI Pumps (Shanghai) Co., Ltd.**
Taiwan : **IWAKI Korea Co., Ltd.**
Thailand : **IWAKI Pumps Taiwan Co., Ltd.**
Thailand : **IWAKI (Thailand) Co., Ltd.**

TEL: (1)508 429 1440 FAX: 508 429 1386
TEL: (54)11 4745 4116
TEL: (55)19 3244 5900 FAX: 19 3244 5900
TEL: (65)6316 2028 FAX: 6316 3221
TEL: (62)21 6906606 FAX: 21 6906612
TEL: (60)3 7803 8807 FAX: 3 7803 4800
TEL: (61)2 9899 2411 FAX: 2 9899 2421
TEL: (86)20 84350603 FAX: 20 84359181
TEL: (86)21 6272 7502 FAX: 21 6272 6929
TEL: (82)2 2630 4800 FAX: 2 2630 4801
TEL: (886)2 8227 6900 FAX: 2 8227 6818
TEL: (66)2 322 2471 FAX: 2 322 2477

Caution for safety use: Before use of pump, read instruction manual carefully to use the product correctly.

Legal attention related to export.

Our products and/or parts of products fall in the category of goods contained in control list of international regime for export control. Please be reminded that export license could be required when products are exported due to export control regulations of countries.

The posting and copying from this catalogue without permission is not accepted firmly.