



**IWAKI Magnetic Drive Pump**

---

**MX-F 250-403 (Asia Edition)**

---

**Instruction Manual**

---

⚠ Read this manual before use of product

Thank you for selecting an Iwaki MX-F Series Magnetic Drive Pump. This instruction manual deals with "*Safety instructions*", "*Outline*", "*Installation*", "*Operation*" and "*Maintenance*" sections. Please read through this manual carefully to ensure the optimum performance, safety and service of your pump.

## Contents

<b>Important instructions</b> .....	<b>1</b>
<b>Safety instructions</b> .....	<b>2</b>
<i>Outline</i>	
1. Unpacking & Inspection .....	6
2. Product outline .....	6
3. Model code .....	7
4. Specification .....	8
5. Dimension .....	8
6. Part names .....	9
7. Overview .....	12
<i>Installation</i>	
1. Before installation .....	14
2. Installation/Pipework/Wiring .....	16
<i>Operation</i>	
1. Operational precautions .....	23
2. Before operation .....	24
3. Operation .....	24
<i>Maintenance</i>	
1. Troubleshooting .....	27
2. Maintenance & Inspection .....	28
3. Spare & Wear parts .....	31
4. Dismantlement & Assembly .....	32



*This instruction manual should be kept on hand by the end user for quick reference.*

*Contact us or your nearest dealer if you have any questions.*

# Important instructions

## *For the Safe and Correct Handling of the Pump*

- "Safety Instruction" section deals with important details about handling of the product. Before use, read this section carefully for the prevention of personal injury or property damage.
- Observe the instructions accompanied with "WARNING" or "CAUTION" in this manual. These instructions are very important for protecting users from dangerous situations.
- The symbols on this instruction manual have the following meanings:

 <b>WARNING</b>	<b>Nonobservance or misapplication of “Warning” sections could lead to a serious accident which may result in death.</b>
 <b>CAUTION</b>	<b>Nonobservance or misapplication of “Caution” sections could lead to personal injury or property damage.</b>

### *Types of Symbols*



Indicates that “Warning” or “Caution” must be exercised. Inside this triangle, a concrete and practical image provided as a warning or caution message is depicted.



Indicates a prohibited action or procedure. Inside or near this circle, a concrete and practical image of the activity to be avoided is depicted.



Indicates an important action or procedure which must be performed or carried out without fail. Failure to follow the instructions herein can lead to malfunction or damage to the pump.

### **Export Restrictions**

Technical information contained in this instruction manual might be treated as controlled technology in your countries, due to agreements in international regime for export control. Please be reminded that export license/permission could be required when this manual is provided, due to export control regulations of your country.

# Safety instructions

## **WARNING**

- **Turn off power before work**

Be sure to turn off power to stop the pump and related devices before work. Make sure no one turns on power by mistake while working on the pump, otherwise it may result in a serious accident. If your working area is noisy or dark, let other people know about the situation by displaying a notice such as "POWER OFF (Maintenance)" near a power switch.



Turning off power

- **Wear protective clothing**

Always wear protective clothing such as eye protection and protective gloves during pipework or dismantlement of the pump.



Wear protective gear

- **Use strong ropes (chains) for lifting up the pump**

Serious injury may result if lifting ropes (chains) break. Check lifting ropes (chains) are strong enough before use. Observe the maximum weight.



Caution

- **Use eye bolts**

Chain the pump via eye bolts to lift it up. Otherwise the pump may accidentally fall down, resulting in serious injury.



Caution

- **Do not lift the pump by gripping any plastic parts (pump unit, flange or base)**

The pump can drop unintentionally as a plastic part breaks, resulting in serious injury.



Prohibited

- **Do not remodel the pump**

A remodelled pump will not be warranted. Also, we are not responsible for personal injury or property damage due to modification.



No Remodeling

- **When handling dangerous liquid**

For handling harmful liquids as mentioned below, be sure to conduct daily inspection and maintenance for the prevention of liquid leakage. Otherwise personal injury, explosion or fire may result.



1. Explosive or flammable liquid
2. Corrosive or stimulus toxic liquid
3. Health hazardous liquid

# Safety instructions

## CAUTION

- **Restriction on pump operator**

The pump must be handled or operated by a qualified person with a full understanding of the pump.



Prohibited

- **For a specified application only**

Use of the pump in any application other than those clearly specified may result in personal injury or property damage.



Prohibited

- **For a specified power only**

Do not apply any voltage other than the specified one on the motor name-plate. Otherwise, damage or fire may result.



Prohibited

- **Ventilation**

Poisoning may result when handling a harmful liquid. Keep good ventilation in a work area.



Caution

- **Countermeasure against efflux**

Take protective measures against accidental chemical efflux and splash at pump or piping breakage. Do not allow an outflow to directly soak into the ground. Observe applicable codes or regulations for waste chemical disposal.



Caution

- **Do not run pump dry**

Do not run pump dry (Operation without liquid). Friction heat builds up during dry running operation and damages internal parts. If the pump is operated with a suction side valve closed or without priming, the pump runs dry.



Prohibited

- **Do not bring the pump close to a flammable substance**

Keep the pump away from a flammable substance for the prevention of fire.



Fire ban

- **Do not stand on the pump**

Do not use the pump as a platform. Injury or damage may result when the pump turns over.



Prohibited

- **Do not touch the pump or a pipe**

Hot surface temperature. Do not touch the pump or a pipe with bare hands during or right after hot liquid transfer. Take preventative measures against burn.



Caution

# Safety instructions

## CAUTION

### • Earthing

Risk of electrical shock. Do not run the pump without earthing. Secure earth protection to reduce the risk.



Grounding

### • Install an earth leakage breaker

Risk of electrical shock. Do not run the pump without a leakage breaker. Secure a leakage breaker to reduce the risk.



Electrical shock

### • Limitations on working and storage areas

Do not install or store the pump in the following places where...

1. Ambient temperature exceeds 40 °C or falls below 0 °C.
2. Under a flammable/explosive atmosphere (Except explosion-proof type).
3. Under wind & rain or in a dusty/humid place (Except outdoor-use type).
4. The pump is subject to vibration.
5. Under a corrosive atmosphere such as chlorine gas.



Prohibited

### • Starting

The pump doesn't have an ON-OFF switch. The pump starts as a power cable is plugged in.



Caution

### • Foreign matter

When foreign matters enter the pump, turn off power at once and remove them. Using the pump with foreign matters may result in failure.



Caution

### • Pump disposal

Any used or damaged pump must be disposed of in accordance with local laws and regulations as an incombustible (Consult a licensed industrial waste products disposing company.).



### • Static electricity

When low electric conductivity liquids such as ultra-pure water and fluor inactive liquid (e.g. Fluorinert™) are handled, static electricity may generate in the pump and may cause static discharge. Take countermeasures to remove static electricity.

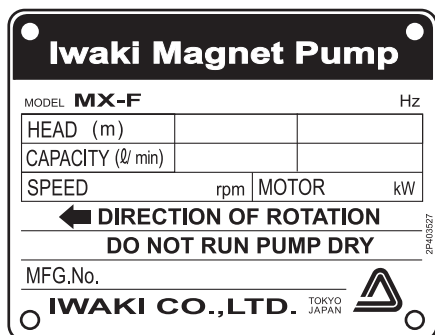


# *Outline*

<i>1. Unpacking &amp; Inspection .....</i>	<i>6</i>
<i>2. Product outline.....</i>	<i>6</i>
<i>3. Model code.....</i>	<i>7</i>
<i>4. Specification .....</i>	<i>8</i>
<i>5. Dimension.....</i>	<i>8</i>
<i>6. Part names .....</i>	<i>9</i>
<i>7. Overview.....</i>	<i>12</i>

# Outline

## 1. Unpacking & Inspection

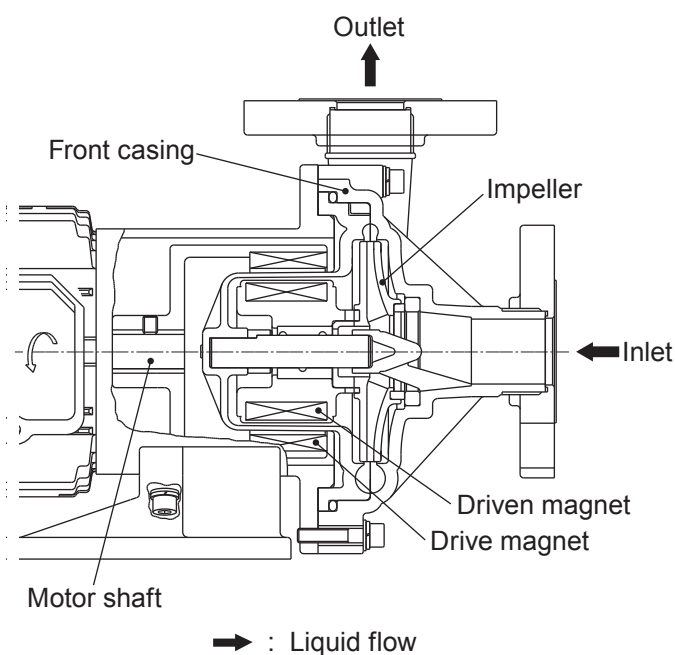


*On unpacking the product, check the following points. If you find any problems, contact your nearest distributor.*

1. Check the information on nameplate (model code, flow rate, head and voltage) to see if the product is delivered as per order.
2. Check for transit damage, deformation, and loose bolts.

## 2. Product outline

*The MX-F is a magnetic drive centrifugal pump with fluoroplastic and fine ceramic wet ends and is capable of handling a strong acid and alkali.*



### ■ Principle of operation

The magnetic force between drive and driven magnets rotates the impeller in the pump chamber, where a liquid is transferred from the inlet to outlet.



# Outline

## 3. Model code

**MX - F 400 CF V T C - 2 S**

a            b            c            d            e            f            g

### a. Pump bore and motor output

Code	Pump bore (Inlet × Outlet)	Motor output
250	25A × 25A	0.4kW
251		0.75kW
400	40A × 40A	0.4kW
401		0.75kW
402	50A × 40A	1.5kW
403		2.2kW

NOTE: The motor is 2-pole, 3-phase.

### b. Sliding parts

**CF:** High density carbon bearing × High purity alumina ceramic spindle

**RF:** Filled fluoroplastic bearing × High purity alumina ceramic spindle

**KK:** SiC bearing × SiC spindle

### c. O ring materials

**V:** FKM

**E:** EPDM

**A:** Aflas®

### d. Impellers

T : Specific gravity limit 1.2  
 V : Specific gravity limit 1.5  
 W: Specific gravity limit 1.8-2.0

} 50 Hz

X : Specific gravity limit 1.2  
 Y : Specific gravity limit 1.5  
 Z : Specific gravity limit 1.8-2.0

} 60 Hz

### e. Motors

**No code:** Totally-enclosed-fan-cooled motor for indoor use

**C:** Totally-enclosed-fan-cooled motor for outdoor use

**A:** Increased safety motor

### f. Motor power voltage

MX-F250/-F251/-F400/-F401

Symbol	Voltage & Frequency
2	200V (50/60Hz), 220V (60Hz)
3	220V (50/60Hz), 380V (50/60Hz)
4	380V (50/60Hz), 400V (50/60Hz), 415V (50Hz), 440V (60Hz)

MX-F402/-F403

Symbol	Voltage & Frequency
2	200V (50/60Hz), 220V (60Hz)
3	220V (50/60Hz), 380V (50/60Hz)
5	415V (50Hz)
6	380V (50/60Hz)

### g. Special version

**S :** Special version

# Outline

## 4. Specification

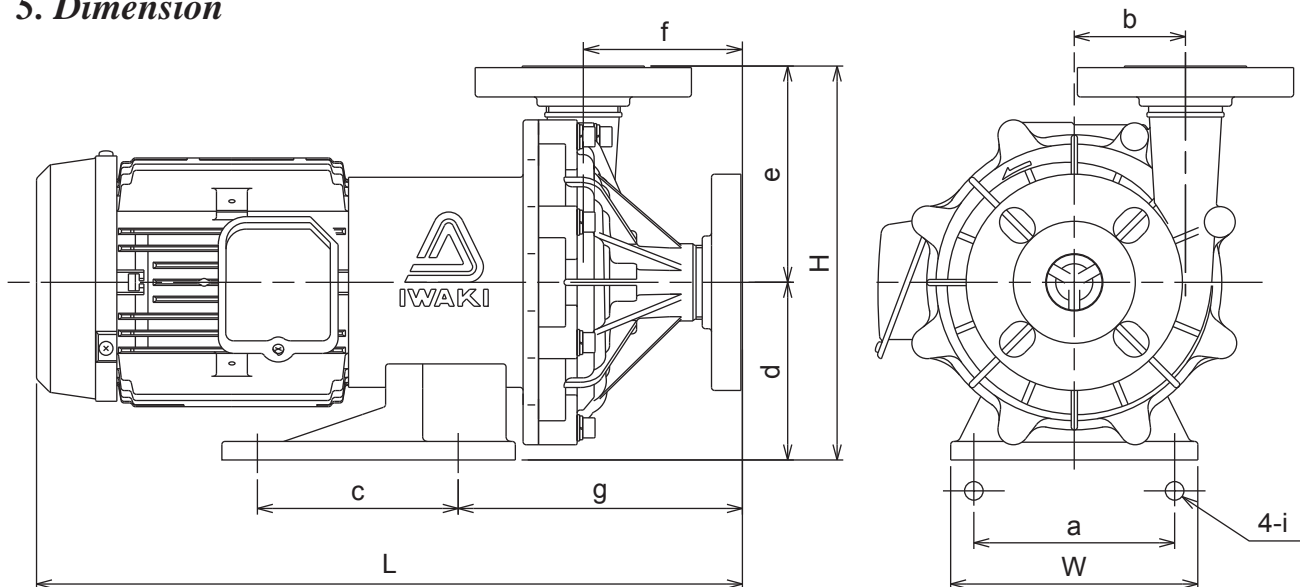
50/60Hz

Model	Inlet × Outlet	S.G. limit	Total head (m)	Specified point (l/min, -m)	Max. flow (l/min)	Motor output
MX-F250T/X	25×25	1.2	13.2/13.4	50-11.3/11.8	150/160	0.4kW
MX-F250V/Y		1.5	10.6/10.7	50-9.1/9.5	145/150	
MX-F250W/Z		1.8-2.0	7.8/8.8	50-6.4/7.5	126/132	
MX-F251T/X		1.2	19/20	80-16/17	150	0.75kW
MX-F251V/Y		1.5	15/16	80-12.5/14.5	150	
MX-F251W/Z		1.8-2.0	11.5/13.5	80-9/11.5	120/140	
MX-F400T/X	40×40	1.2	11.8/10.3	100-10.1/9.3	250	0.4kW
MX-F400V/Y		1.5	9.3/8.6	100-8.1/7.6	230	
MX-F400W/Z		1.8-2.0	6.4/7.2	100-5.5/6.3	210	
MX-F401T/X		1.2	16.8/15.3	150-12.8/12.6	270/280	0.75kW
MX-F401V/Y		1.5	14/13	150-10.8/10.4	260	
MX-F401W/Z		1.8-2.0	10.8/9.6	150-8.1/6.9	240/230	
MX-F402T/X	50×40	1.2	23.7/21.2	200-18.3/18.5	440	1.5kW
MX-F402V/Y		1.5	20.3/17.6	200-16/15.2	430	
MX-F402W/Z		1.8-2.0	15.3/13.8	200-12.5/11.7	410/400	
MX-F403T/X		1.2	29.3/26.7	250-22.8/23.1	510	2.2kW
MX-F403V/Y		1.5	25.1/22.4	250-19.4/19.2	500	
MX-F403W/Z		1.8-2.0	19.5/17.8	250-19.5/17.8	470/480	

### ■ Pump weight

MX-F250/-F400	MX-F251/-F401	MX-F402	MX-F403
14.5 kg	19.5 kg	31.5 kg	34 kg

## 5. Dimension

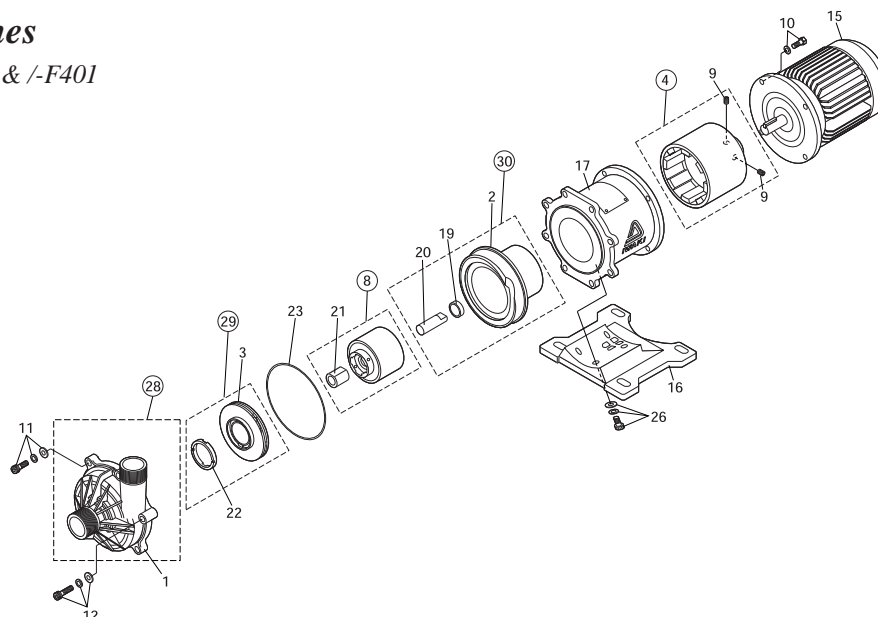


Model	W	H	L	a	b	c	d	e	f	g	i
MX-F250	160	255	411	130	65	130	115	140	90	163	12
MX-F251	160	255	444	130	65	130	115	140	90	163	12
MX-F400	140	225	411	110	54	98	95	130	87	150	12
MX-F401	160	255	457	130	72	130	115	140	103	184	12
MX-F402/-F403	260	280	516	208	80	200	120	160	89	157	14×36

# Outline

## 6. Part names

MX-F250/-F251 & /-F401

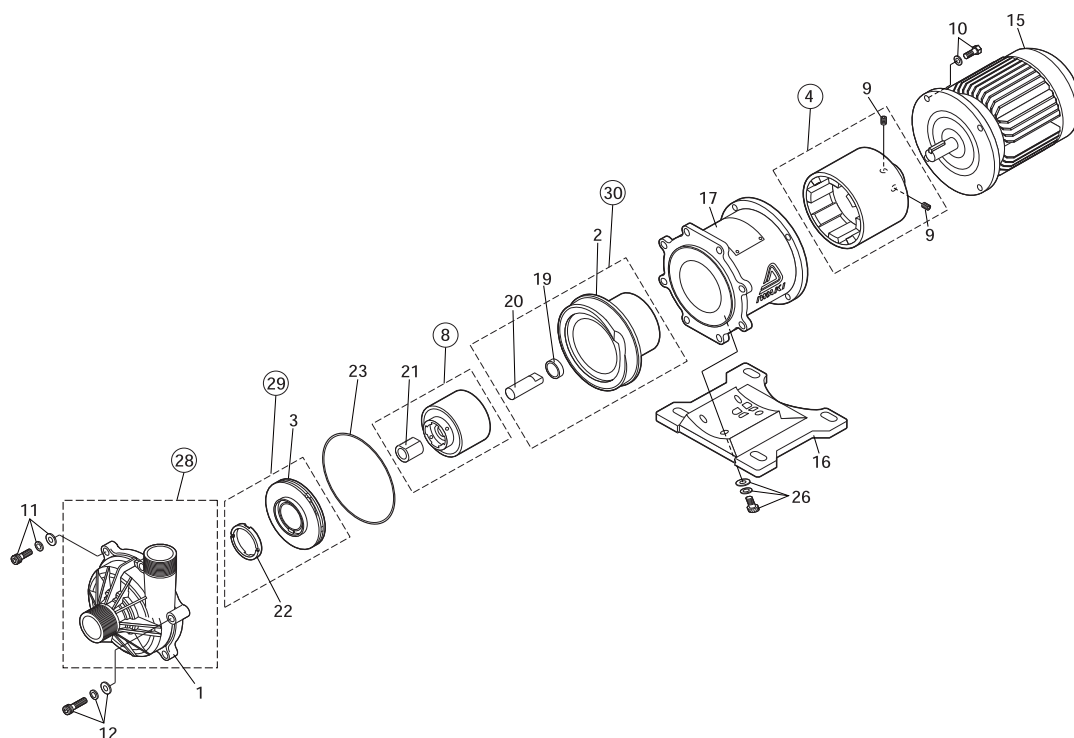


No.	Names	Q'ty	MX-F250		MX-F251		MX-F401	
			Materials	Remarks	Materials	Remarks	Materials	Remarks
1	Front casing	1	CFRETFE		CFRETFE		CFRETFE	
2	Rear casing	1	CFRETFE		CFRETFE		CFRETFE	
3	Impeller	1	CFRETFE		CFRETFE		CFRETFE	
5	Drive magnet unit	1	Ferrite mag. +aluminum alloy		Ferrite mag. +FCD450		Ferrite mag. +FCD450	
8	Magnet capsule	1	Ferrite mag. +CFRETFE		Ferrite mag. +CFRETFE		Ferrite mag. +CFRETFE	
9	Hex socket set screw	2	Steel	M8 × 10	Steel	M8 × 10	Steel	M8 × 10
11	Hex soch head bolt	6	Stainless steel	M8 × 35, with PW, SW	Stainless steel	M8 × 35, with PW, SW	Stainless steel	M8 × 40, with PW, SW
12	Hex soch head bolt	2	Stainless steel	M8 × 50, with PW, SW	Stainless steel	M8 × 50, with PW, SW	Stainless steel	M8 × 50, with PW, SW
13	Flange	2	CFRETFE		CFRETFE		CFRETFE	
15	Motor	1	0.4kW, 2P, 3-phase		0.75kW, 2P, 3-phase		0.75kW, 2P, 3-phase	
16	Base	1	GFRPP		GFRPP		GFRPP	

No.	Names	Q'ty	Materials			Remarks	Remarks
			CFV	RFV	KKV		
18	Liner ring	1	Alumina ceramics 99.5%		SiC		
19	Rear thrust	1	CFRETFE				
20	Spindle	1	Alumina ceramics 99.5%		SiC		
21	Bearing	1	High density carbon	Filled fluoroplastics	SiC		
22	Mouth ring	1	Filled fluoroplastics		SiC		
23	O ring	1	FKM			JIS B 2401 G165	JIS B 2401 G165
24	O ring	2				JIS B 2401 G25	AS568-129
27	Hex soch head bolt	4	Steel			M8 × 20, with PW, SW	M8 × 20, with PW, SW

# Outline

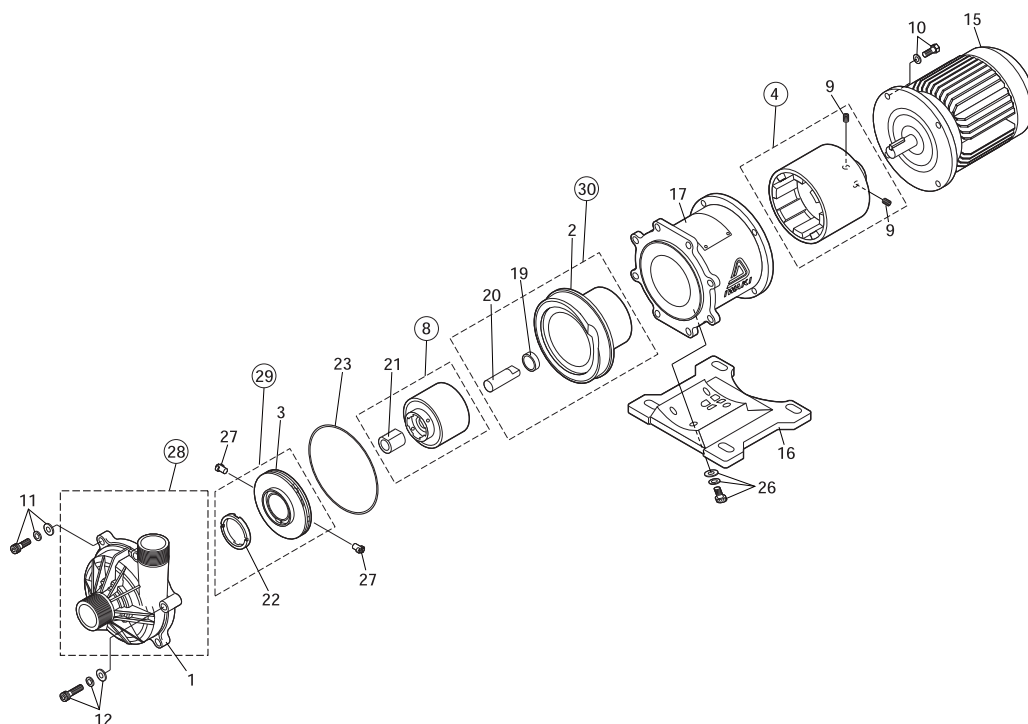
MX-F400



No.	Names	Q'ty	Materials	Remarks	No.	Names	Q'ty	Materials			Remarks
								CFV	RFV	KKV	
1	Front casing	1	CFRETFE		18	Liner ring	1	Alumina ceramics 99.5%		SiC	
2	Rear casing	1	CFRETFE								
3	Impeller	1	CFRETFE		19	Rear thrust	1	CFRETFE			
5	Drive magnet unit	1	Ferrite magnet +aluminum alloy		20	Spindle	1	Alumina ceramics 99.5%		SiC	
8	Magnet capsule	1	Ferrite magnet +CFRETFE		21	Bearing	1	High density carbon	Filled fluoroplastics		
9	Hex socket set screw	2	Steel	M8 × 10	22	Mouth ring	1	Filled fluoroplastics			
11	Hex soch head bolt	4	Stainless steel	M8 × 30, with PW, SW	23	O ring	1	FKM			JIS B 2401 G135
12	Hex soch head bolt	2	Stainless steel	M8 × 40, with PW, SW	24	O ring	2				
13	Flange	2	CFRETFE		27	Hex soch head bolt	4	Steel			M8 × 20, with PW, SW
15	Motor	1	0.4kW, 2P, 3-phase								
16	Base	1	GFRPP								

# Outline

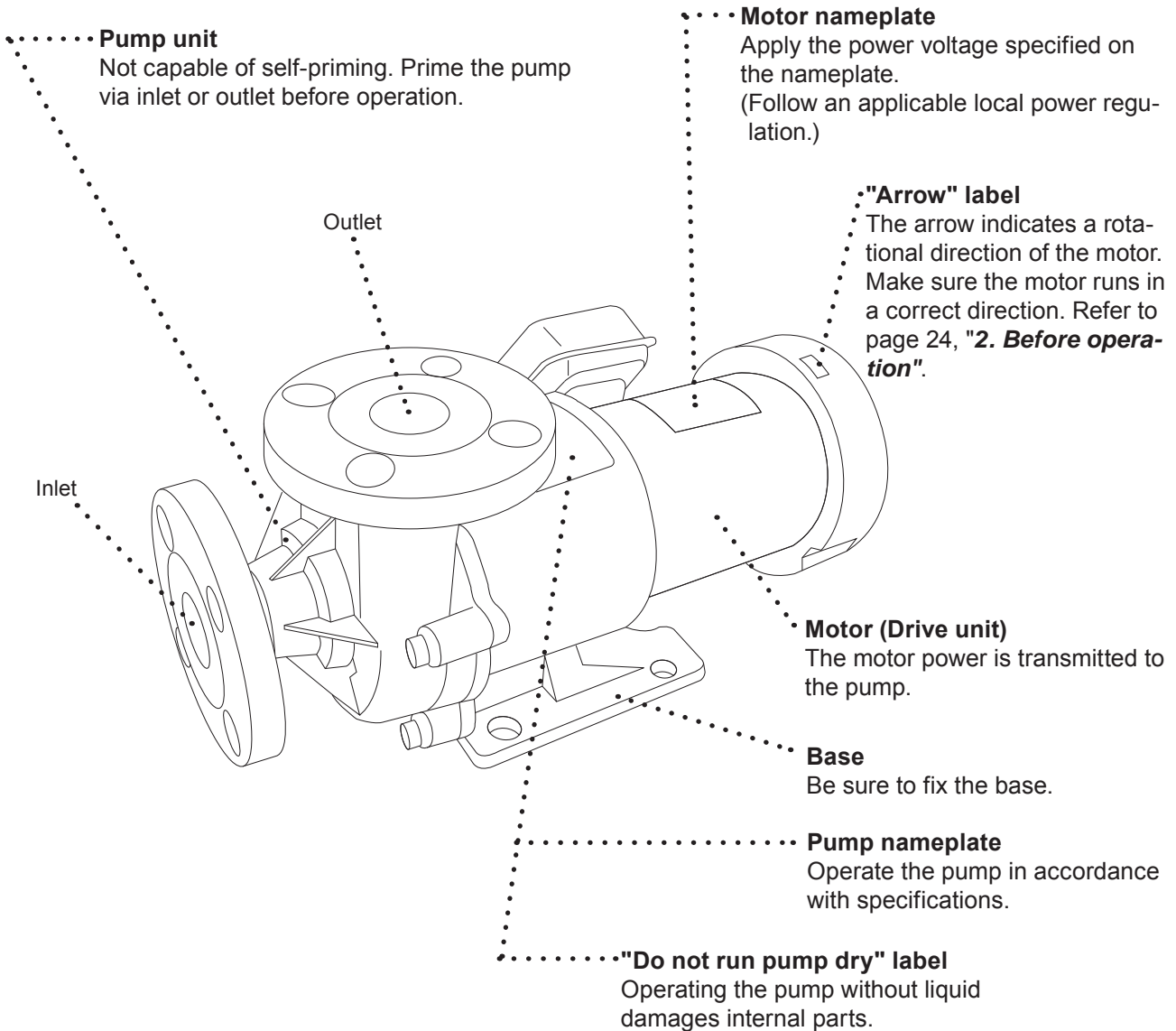
MX-F402/-F403



No.	Names	Q'ty	Materials	Remarks	No.	Names	Q'ty	Materials			Remarks		
								CFV	RFV	KKV			
1	Front casing	1	CFRETFE		18	Liner ring	1	Alumina ceramics 99.5%		SiC			
2	Rear casing	1	CFRETFE		19	Rear thrust	1	CFRPFA					
3	Impeller	1	CFRETFE		20	Spindle	1	Alumina ceramics 99.5%		SiC			
4	Drive magnet unit	1	Rear earth magnet +FCD450		21	Bearing	1	High density carbon	Filled fluoroplastics				
8	Magnet capsule	1	Rear earth magnet +CFRETFE		22	Mouth ring	1	Filled fluoroplastics					
9	Hex socket set screw	2	Steel	M8 × 10	23	O ring	1	FKM			JIS B 2401 G195		
10	Hex head bolt	4	Stainless steel	M10 × 30, with SW	24	O ring	1						AS568-136
11	Hex soch head bolt	7	Stainless steel	M10 × 55, with PW, SW	25	O ring	1						AS568-129
12	Hex soch head bolt	1	Stainless steel	M10 × 60, with PW, SW	26	Hex soch head bolt	4	Steel			M8 × 20, with PW, SW		
13	Flange	1	CFRETFE		27	Lock pin	2	CFRETFE					
14	Flange	1	CFRETFE										
15	Motor	1	1.5/2.2kW, 2P, 3-phase										
16	Base	1	GFRPP										
17	Bracket	1	FC200										

# Outline

## 7. Overview



### CAUTION

Wet a cloth with tap water and wring it out for cleaning the pump. Use a neutral detergent for greasy dirt and then rub with a dry cloth. Do not wipe nameplates, labels or pump body with any solvent.

# *Installation*

<i>1. Before installation .....</i>	<i>14</i>
<i>2. Installation/Pipework/Wiring .....</i>	<i>16</i>

# Installation

## ⚠ CAUTION

- **Do not run pump dry**

Do not run pump dry (operation without priming water or with a suction valve closed). Otherwise, internal parts are excessively worn by friction heat and fatal pump damage results.

\*If the pump runs dry by mistake, turn off power and leave it for more than one hour to cool it down. Quick cooling can give rise to cracks on parts.

\*An Iwaki dry run protector, the DR, is recommended for the prevention of dry running.



Prohibit

- **Do not bring the pump close to a flammable substance**

Keep the pump away from a flammable substance for the prevention of fire.



Prohibit

- **Do not remodel the pump**

A remodelled pump will not be warranted. Also, we are not responsible for personal injury or property damage due to any modification.



Prohibit

## 1. Before installation

*Always observe the following points.*

### ■ Precautions for starting/stopping the pump

**(In case the pump is in flooded suction system.)**

*Follow the procedures below when starting/stopping the pump for the prevention of water hammer.*

*Take extra care when a discharge line is long.*

*When starting the pump*

First, prime the pump. Then turn on power to start operation with a discharge valve fully closed.

And then gradually open the valve and adjust a flow rate to a specified point.

*When stopping the pump*

Gradually close a discharge valve. Turn off power and stop the pump after the valve is fully closed.

NOTE: Do not close a discharge valve sharply. Otherwise an excessive pressure may damage the pump, when using a solenoid valve, set it to close slowly.

### ■ Do not install or store the pump in the following places where...

- Ambient temperature exceeds 40 °C or falls below 0 °C.
- Ambient humidity exceeds 85%RH or falls below 35%RH.
- Under a corrosive/explosive atmosphere (Except explosion-proof type).
- The pump is exposed to rain or liquid (Except outdoor-use type).
- The pump is subject to vibration or dust.



# Installation

## ■ Always prime the pump

The MX-F is not self-priming pump. Prime the pump every time the pump is operated. Do not run pump dry (operation without liquid.), or internal parts seizing or excessive wear results.

## ■ Maximum operating pressure

Do not allow a discharge pressure to exceed the limits below.

Model	MX-F250/-F251	MX-F400	MX-F401	MX-F402/-F403
Pressure limits (MPa)	0.25	0.22	0.28	0.43

## ■ Liquid conditions

### Slurry

The MX-F series can not send slurry except the KK type with a SiC bearing and a SiC spindle.

The KK type can handle slurry up to 5% (concentration), 50 $\mu$ m (particle size) and 80Hs (hardness).

Contact us for details.

### Performance change

Shaft power, discharge capacity and pump head varies depending on specific gravity and viscosity. The pump is designed for a specified liquid. If you made a change to the specified liquid, contact us.

### Temperature change

Viscosity, vapour pressure and corrosive nature vary with liquid temperature. Always take account of temperature change.

▶ Allowable liquid temperature: 0-80°C (clean water)
▶ Allowable ambient temperature: 0-40°C
▶ Allowable ambient humidity: 35-85%RH

NOTE: Contact us for an allowable liquid temperature range at each liquid type.

## ■ Intermittent operation

Frequent ON-OFF operation damages the pump in a short time. Do not make ON-OFF operation more than six times per hour.

## ■ Disconnection of magnet coupling

Stop the pump immediately when the magnet coupling is disconnected. Otherwise magnetic force reduces.

## ■ Ascending area of a spike curve (in a performance curve)

When a specified point falls on an ascending area of a spike curve (generally, a flow is small in this area. See the standard performance curves), check and observe the following points.

- There should be no possibility of trapping air in a supply tank or a discharge line.
- A discharge valve should be installed near the pump outlet to adjust a flow rate.

# Installation

## 2. Installation/ Pipework/ Wiring

*Upon becoming aware of danger or abnormality during operation, terminate work immediately and inspect/solve problems.*

### WARNING

- **Turn off power before work**

Be sure to turn off power to stop the pump and related devices before work. Make sure no one turns on power by mistake while working on the pump, otherwise it may result in a serious accident. If your working area is noisy or dark, let other people know about the situation by displaying a notice such as "POWER OFF (Maintenance)" near a power switch.



Turning off power

- **Do not lift the pump by gripping any plastic parts (pump unit, flange or base)**

The pump can drop unintentionally as a plastic part breaks, resulting in serious injury.



- **Electrical wiring**

Electrical wiring and any work on power source must be performed by qualified persons only. We are not responsible for any injury and damage due to noncompliance with this notice.



Caution

### ■ Carrying in and out

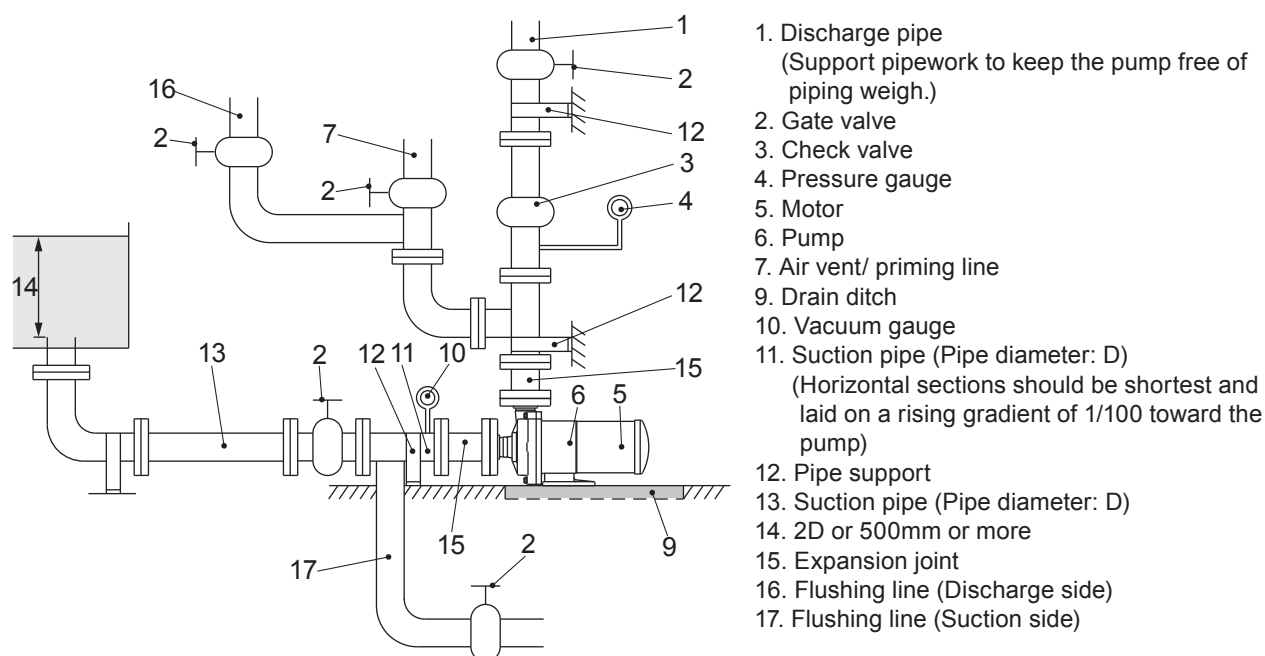
*When carrying in and out the pump, observe the following points.*

- Do not lift the pump by holding plastic parts such as a pump unit, a flange or a base.
- Pump weight is about 34kg (the largest model). Work with sufficient number of people.
- Mount the pump horizontally on a pump base.

# Installation

## ■ Installation

Arrange pump and pipework based on the following piping layout for a long period of operation.



1. Discharge pipe  
(Support pipework to keep the pump free of piping weigh.)
2. Gate valve
3. Check valve
4. Pressure gauge
5. Motor
6. Pump
7. Air vent/ priming line
9. Drain ditch
10. Vacuum gauge
11. Suction pipe (Pipe diameter: D)  
(Horizontal sections should be shortest and laid on a rising gradient of 1/100 toward the pump)
12. Pipe support
13. Suction pipe (Pipe diameter: D)
14. 2D or 500mm or more
15. Expansion joint
16. Flushing line (Discharge side)
17. Flushing line (Suction side)

### Installation location

- Install the pump as close to a supply tank. Keep a liquid level in the tank higher than the pump at any time (flooded suction application).
- In case the pump is installed above a liquid level (suction lift application), lay on a priming line and mount a foot valve to the bottom of a suction line.

NOTE: The maximum suction lift varies with liquid characteristics, specific gravity, liquid temperature and suction line length. Contact us for detail.

### Outdoor use motors (Indoor use motors can not be installed out of doors)

Outdoor use motors can also be used in doors. Protect the motor and electrical power distribution equipment from possible damage due to an accidental outflow or act of providence.

### Installation space

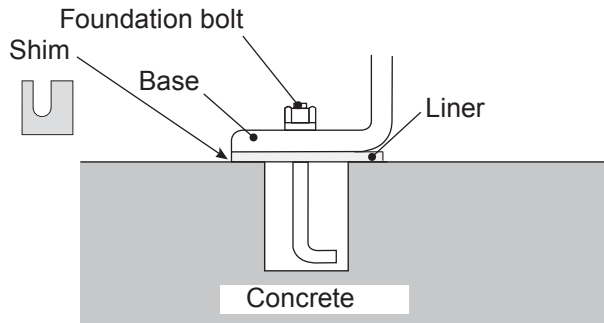
- Select a flat and a rigid floor/foundation where is free from vibration and contortion.
- Keep a wide working area for convenience in installation and maintenance.



Fix the pump firmly. Support piping so as not to directory weigh on the pump.

# Installation

## ■ Foundation work



- Installation area should be larger than the footprint of the pump. Or a plastic base may break due to a concentrated load.
- If piping vibrates sympathetically with the pump in operation, provide an expansion joint between the pump and the piping to reduce vibration.

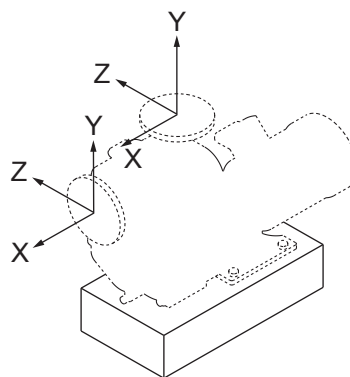
## ■ Tightening torque between the pump and pipework

Connect the pump to pipework via inlet and outlet flanges according to the tightening torque below. The table is based on use of metal pipe flanges with rubber gaskets. Tighten bolts diagonally at even torque.

Model	Bolt size	Tightening torque
MX-F250/-F251/-F400/-F401/-F402/-F403	M16	20N•m

## ■ Piping load and momentum

Try not to apply a heavy load to the inlet and outlet flanges. Permissible piping weight and moment to the pump are as below.



# Installation

**Permissible stress to outlet flange**

	Pipe dia. (mm)	
	25	40
	Load	
Load direction	kN	
Fx	0.10	0.15
Fy: compression	0.15	0.20
Fy: tension	0.10	0.10
Fz	0.10	0.15

**Permissible stress to inlet flange**

	Pipe dia. (mm)	
	25	40, 50
	Load	
Load direction	kN	
Fx	0.10	0.10
Fy	0.10	0.15
Fz	0.10	0.15

**Permissible moment to outlet flange**

	Pipe dia. (mm)	
	25	40
	Moment	
Load direction	kN·m	
Mx	0.02	0.05
My	0.05	0.10
Mz	0.05	0.10

**Permissible moment to inlet flange**

	Pipe dia. (mm)	
	25	40, 50
	Moment	
Load direction	kN·m	
Mx	0.05	0.10
My	0.02	0.05
Mz	0.05	0.10

## ■ Suction line

1. Always build up a flooded suction system. Have a suction line shortest with the minimum number of bends. Support piping by pipe supports so that the pump is not subject to piping weight or thermal stress.
2. Make sure joints on a suction line are secure and air doesn't come in. If air is entrained into a suction line, liquid may not be pumped or the pump may break at its worst.
3. When the inner pressure of a supply tank is negative, or a suction lift or a suction line is long, apply the following formula.  

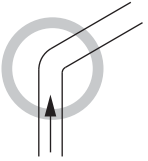
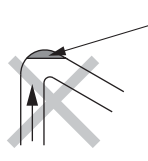
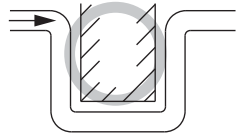
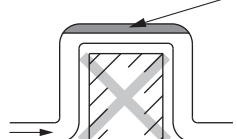
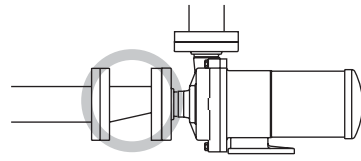
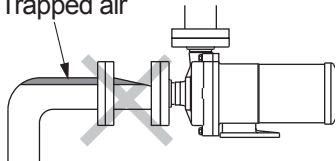
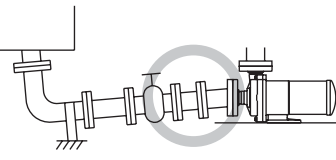
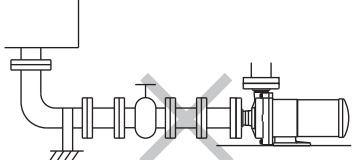
$$NPSHa > NPSHr + 0.5m$$
 (See the standard performance curve for NPSHr.)
4. If a bent pipe is installed in a suction line, lay a straight line (length: 500mm or longer, or 8 times longer than the inlet bore of the pump) between a pump inlet and the bent pipe. Also, have the curvature radius of the bent pipe largest.
5. Do not allow any arched line where air may be trapped. A suction line should be laid on a rising gradient of 1/100 toward the pump.
6. If the inlet bore of the pump is different from that of a suction pipe, use an eccentric reducer pipe. Upper side should always be level. Air may be trapped if it is mounted upside down.

# Installation

- 7. In flooded suction, install a gate valve on a suction line for easier overhaul & inspection. Keep this valve open at any time during operation.
- 8. Install a flushing line for cleaning the pump after handling a harmful liquid.
- 9. A suction pipe bore should be equal to or larger than a pump inlet bore.

## Suction lift application

- 10. One end of a suction line should always be at least 500 mm lower than a liquid level in a supply tank for the prevention of air ingress.
- 11. Provide a screen in a supply tank for the prevention of foreign matter interfusion (Clean the screen periodically.). The distance between the end of a suction line and the bottom of a suction tank should be 1.5 times wider than a suction line bore.
- 12. Be sure to install a foot valve at one end of a suction line.

Good conditions	Unacceptable conditions
	
	
	
	

# Installation

---

## ■ Discharge line

1. Support discharge piping so as not to directly weigh on the pump.
2. Lay a priming line when the pump is not under a flooded suction system.
3. Pipe resistance rises too high to obtain an intended flow if a discharge pipe bore is too long. Always take account of the increment of pipe resistance.
4. Install a check valve in the following cases.  
*When selecting a check valve, check its maximum operating pressure to make sure it tolerates a possible pressure rise due to water hammer or backflow.*
  - A discharge line is too long.
  - Actual discharge head (static discharge head plus discharge pipe resistance) is more than 15m.
  - The end of a discharge line is 9m higher than a liquid level in a supply tank.
  - Several pumps are running in parallel.
5. Install a gate valve on a discharge line to adjust a flow rate and to protect a motor from overload. If you are to install a check valve as necessary, it should be mounted in between the pump and the gate valve.
6. Install a pressure gauge on a discharge line.
7. Install an air vent line when a discharge line is laid long in a horizontal direction.
8. Drain  
*Install a drain valve if it is possible for liquid in a discharge line to freeze.*

## ■ Wiring

*Electrical wiring and any work on power source must be performed by qualified persons only. We are not responsible for any injury and damage due to noncompliance with this notice. Contact us as necessary.*

1. Install an electromagnetic switch according to motor specifications (voltage, capacity, etc.).
2. Electromagnetic switches and push buttons should be installed away from the pump.
3. If the pump is used out of doors, protect switches from rainwater.

# *Operation*

1. Operational precautions .....	23
2. Before operation .....	24
3. Operation .....	24



# Operation

## 1. Operational precautions

### CAUTION

- Never run pump dry or shut off a suction valve during operation. Otherwise the pump fails in a short period.
- Check the rotational direction of the pump. Clockwise seen from the motor end is a correct direction. Operation in a reverse direction may cause pump damage.
- Stop the pump immediately when it is running under cavitation. Do not continue to run the pump when air is sucked from a suction line.
- Stop the pump immediately when the magnet coupling is disconnected. Magnetic force reduces if the pump keeps on running for more than one minute in this condition.
- Keep liquid temperature change within 80°C at any time during operation or stop.
- Start the pump with a discharge valve fully closed in order to avoid water hammer.
- Closed-discharge operation should be within one minute. If the pump runs with a discharge valve closed for a long time, the liquid temperature inside the pump rises and damages the pump.
- If power is interrupted while the pump is running, switch off the pump immediately and close a discharge valve.
- Take extra care for a discharge pressure not to exceed the pump limit. See page 15, "Maximum operating pressure".
- The surface temperature of the pump or pipe rises high along with liquid temperature in or right after operation. Take preventive measures.

Model	Liquid temperature	Surface temperature (at ambient 40°C)
MX-F250/-F251/-F400/-F401/-F402/-F403	80°C	80°C

#### • Noise level

Model	MX-F250/-F400	MX-F251/-F401	MX-F402/-F403
Noise level	70dB	75dB	80dB

In case the pump noise affects human health or communication to secure a safety, provide a noise reduction cover. Be careful not to reduce cooling effect by a motor fan.



# Operation

## 2. Before operation

Take the next steps to start the pump at the first operation or after a long period of storage.

1. Clean the inside of piping and a supply tank.
2. Retighten flange fixing bolts and base fixing bolts.
3. Prime the pump and shut off a discharge valve. Check an air vent line and a flushing line are closed.
4. Run the motor for a moment (within a second) in order to check if the motor rotates to the direction pointed by an arrow label (clockwise seen from a motor fan). If the motor rotates in reverse, interchange two of three phase wires at random.

## 3. Operation

### ■ Starting process

Operate the pump by the following procedure.

No.	Operation procedure	Remarks
1	<ul style="list-style-type: none"> <li>• Close or open valves.</li> </ul>	<ul style="list-style-type: none"> <li>• Open suction valves fully.</li> <li>• Open discharge valves fully.</li> </ul>
2	<ul style="list-style-type: none"> <li>• Prime the pump.</li> </ul>	<ul style="list-style-type: none"> <li>• Prime the pump unit and then close a discharge valve.</li> </ul>
3	<ul style="list-style-type: none"> <li>• Check the motor for correct rotating direction.</li> <li>Turn on power and then immediately (within one second) switch off the power.</li> </ul>	<ul style="list-style-type: none"> <li>• Supply power to run the pump only for checking a rotational direction. (The correct direction is indicated with an arrow on the motor.)</li> <li>• Check if the motor fan smoothly stops after the power is turned off.</li> </ul> <p><b>⚠ CAUTION</b></p> <ul style="list-style-type: none"> <li>• The pump can be damaged when running in reverse rotation for a long time.</li> <li>• If the motor fan does not stop smoothly, internal parts may contact each other. Check the inside of the pump.</li> </ul>
4	<ul style="list-style-type: none"> <li>• Turn on power and start the pump to adjust discharge pressure and capacity.</li> <li>Observer the minimum discharge capacity. See below.</li> </ul>	<ul style="list-style-type: none"> <li>• Run the pump with a discharge valve closed. Once a pressure gauge points the max discharge pressure, open the discharge valve gradually to obtain a specified discharge pressure (or discharge capacity).</li> </ul> <p>NOTE: Start to open/close a discharge valve gradually to adjust discharge pressure within one minute after the pump starts to run. Always check a discharge pressure gauge (or adjust discharge capacity by checking a flow meter).</p> <p><b>⚠ CAUTION</b></p> <p>Opening a valve sharply, the motor may be overloaded. Always open a valve while checking ammeters.</p>

# Operation

	Operation procedure	Remarks
4	<p>Do not operate the pump below the minimum discharge capacity.</p> <p>▶The minimum discharge capacity: 10ℓ/min (MX-F250/-F251/-F400/-F401), 20ℓ/min (MX-F402/-F403)</p> <p>• Observe the minimum discharge capacity for the prevention of continuous closed-discharge operation. This rule holds true to not only manual operation but also automatic operation.</p> <p><b>⚠ CAUTION</b></p> <p>Do not run the pump longer than one minute with a discharge valve fully closed.</p>	
5	<p>&lt;Points to be checked&gt;</p> <p>Check a flow meter and confirm that pump operation is as per specifications during operation.</p>	<p>• If a flow meter is not available, calculate a flow rate from discharge pressure, suction pressure and current value, taking account of pipe resistance.</p>

## ⚠ CAUTION

In case of trouble, turn off power immediately and solve problems. See "*1. Troubleshooting*".

### ■ Stopping process

	Operation Procedure	Remarks
1	<p>• Close a discharge valve gradually.</p>	<p>• Do not close a discharge valve sharply whether manually or automatically. Otherwise, the pump may be damaged by water hammer action which tends to occur with a long a discharge line. When using a solenoid valve, set it to close slowly.</p>
2	<p>• Turn off power and stop pump operation.</p>	<p>• Check that the motor stops slowly and smoothly. If it does not stop smoothly, inspect the inside of the pump.</p>
3	<p>&lt;Leaving the pump stop&gt;</p> <p>• Liquid in the pump may freeze and consequently damage the pump in winter. Drain liquid before storage. Be careful when draining harmful liquid.</p> <p>• Use a heater to prevent liquid from freezing when the pump is temporarily stopped in an extremely cold region.</p> <p>• In the event of a power failure, turn off power and close a discharge valve.</p>	

# *Maintenance*

<i>1. Troubleshooting .....</i>	<i>27</i>
<i>2. Maintenance &amp; Inspection.....</i>	<i>28</i>
<i>3. Spare &amp; Wear parts .....</i>	<i>31</i>
<i>4. Dismantlement &amp; Assembly .....</i>	<i>32</i>

# Maintenance

## 1. Troubleshooting

If you can not find out the root cause of failure, contact us.

Troubles	Symptom		Cause	Point to be checked & Countermeasures
	When a discharge valve is closed.	When a discharge valve is opened.		
Liquid can not be discharged.		The readings of pressure/vacuum gauges drop to zero.	<ul style="list-style-type: none"> <li>Priming liquid level is too low.</li> <li>Dry running</li> </ul>	<ul style="list-style-type: none"> <li>Stop and prime the pump and resume operation.</li> </ul>
	The pump can not be primed.		<ul style="list-style-type: none"> <li>A foot valve doesn't close due to foreign matter clogging.</li> </ul>	<ul style="list-style-type: none"> <li>Clean the foot valve and a seat.</li> </ul>
	After starting, pressure drops sharply as a discharge valve is opened.	The readings of pressure/vacuum gauges fluctuate and drop to zero.	<ul style="list-style-type: none"> <li>Air ingress through a suction line or a sealing surface.</li> </ul>	<ul style="list-style-type: none"> <li>Check if suction line connections are completely sealed.</li> <li>Check if liquid level in supply tank is not too low.</li> </ul>
	Discharge pressure does not rise.		<ul style="list-style-type: none"> <li>A disconnection of the magnet coupling</li> </ul>	<ul style="list-style-type: none"> <li>Check amperage to see if the motor is not overloaded.</li> <li>Check if foreign matters do not lock the impeller or magnet capsule.</li> <li>Check if voltage is normal.</li> </ul>
Discharge capacity is too low.	Pressure & vacuum are normal.	Vacuum is high.	<ul style="list-style-type: none"> <li>The strainer is clogged with foreign matters.</li> </ul>	<ul style="list-style-type: none"> <li>Remove foreign matters.</li> </ul>
		Vacuum is very high.	<ul style="list-style-type: none"> <li>Air pocket in suction line</li> </ul>	<ul style="list-style-type: none"> <li>Check and correct suction line.</li> </ul>
			<ul style="list-style-type: none"> <li>Foreign matters are clogged at impeller inlet.</li> </ul>	<ul style="list-style-type: none"> <li>Remove foreign matters.</li> </ul>
		The readings of pressure gauge & vacuum gauge fluctuate.	<ul style="list-style-type: none"> <li>Air ingress from a suction line or a sealing surface.</li> </ul>	<ul style="list-style-type: none"> <li>Check suction line connections and retighten as necessary.</li> </ul>
		Vacuum is high but pressure is normal.	<ul style="list-style-type: none"> <li>Discharge line clogs with foreign matters.</li> </ul>	<ul style="list-style-type: none"> <li>Remove foreign matters or scale from pump/piping.</li> </ul>
		Vacuum is normal but pressure is high.	<ul style="list-style-type: none"> <li>Resistance such as air pocket in suction line.</li> </ul>	<ul style="list-style-type: none"> <li>Check if there is no arched pipework.</li> </ul>
	Pressure is low and vacuum is very low.	Pressure and vacuum are low.	<ul style="list-style-type: none"> <li>Actual head is too high or pipe resistance is too large.</li> </ul>	<ul style="list-style-type: none"> <li>Check actual head and pipe resistance.</li> </ul>
Motor is overheated.			<ul style="list-style-type: none"> <li>Motor rotates in reverse.</li> </ul>	<ul style="list-style-type: none"> <li>Interchange motor wiring.</li> </ul>
Motor is overheated.			<ul style="list-style-type: none"> <li>Power voltage is low.</li> <li>Overload</li> </ul>	<ul style="list-style-type: none"> <li>Check voltage or frequency.</li> <li>Check specific gravity and viscosity of liquid.</li> <li>Keep good ventilation.</li> </ul>
Discharge capacity is rapidly reduced.		Vacuum is high.	<ul style="list-style-type: none"> <li>A suction line clogs with foreign matters.</li> </ul>	<ul style="list-style-type: none"> <li>Remove foreign matters.</li> </ul>
Pump vibrates.			<ul style="list-style-type: none"> <li>Poor foundation</li> <li>Loose mounting bolts.</li> <li>Cavitation occurs.</li> <li>Pump bearing is worn or melted.</li> <li>Magnet capsule or spindle is broken.</li> <li>Dynamic balance of drive magnet is upset.</li> <li>The rotating part hits against other parts.</li> <li>Motor bearing is worn.</li> </ul>	<ul style="list-style-type: none"> <li>Reinstall the pump.</li> <li>Retighten the bolts.</li> <li>Remove the cause of cavitation.</li> <li>Replace as necessary.</li> <li>Replace as necessary.</li> <li>Remove the cause. Replace as necessary.</li> <li>Replace as necessary.</li> <li>Replace bearing or motor.</li> </ul>

# Maintenance

## 2. Maintenance & Inspection

### **WARNING**

- **Access limitation**

The magnet drive pump has a pair of strong magnets. The strong magnet field could adversely affect the persons who are assisted by electronic devices such as the pacemaker.



- **Turn off power during maintenance work**

Risk of electrical shock. Make sure a power source is turned off and the pump and devices are stopped prior to work.



- **Wear protective clothing**

Coming in contact with a harmful chemical liquid may cause eye or skin trouble. Wear protective clothing such as a protective mask, goggles, gloves during work.



### **CAUTION**

- **Do not catch the finger**

Magnetic force of the pump is powerful. Take care not to catch the finger in the bracket.



### ■ **Daily inspection**

1. Always check for leakage before pump operation. Do not run the pump when liquid leaks.
2. Check whether the pump runs without abnormal noise or vibration.
3. Check a liquid level in a supply tank and a suction pressure.
4. Check that discharge capacity and a motor current value are as per specifications on the nameplate during operation.

NOTE A discharge pressure is in proportion to the specific gravity of liquid. The cock of a pressure gauge or a vacuum gauge should be opened only when measurement is carried out. Close it right after measurement. If the cock remains open during pump operation, its meter mechanism may be adversely affected by the abnormal pressure rise caused by water hammer action.

5. If a spare pump is stored, run it from time to time to keep it ready for operation at any time when needed.
6. Check discharge pressure, discharge capacity, and motor power supply voltage to see if they do not fluctuate during pump operation. See page 27 "1. Troubleshooting" as necessary.

# Maintenance

## ■ Periodic inspection

To ensure efficient and smooth operation, perform periodic inspection. Be careful not to damage internal sliding parts and plastic parts when dismantling the pump.

The magnetic force of a drive and a driven magnet is strong. Be careful not to catch the finger. Do not put electrical devices such as a watch and a mag card close to those magnets.

Interval	Part names	Inspection items	Measures
Every six months (Maintain an inspection record)	(Drive magnet unit) Drive magnet Hex. socket set screw	<ul style="list-style-type: none"> <li>● Wear trace</li> <li>● If the drive magnet is correctly mounted by hex. socket set screws and they are not loose.</li> <li>● Decentering of magnet and motor shaft (Max.1/10mm)</li> </ul>	<ul style="list-style-type: none"> <li>○ Finding wear trace, contact us.</li> <li>○ Reset the drive magnet to the motor shaft and retighten the screws.</li> <li>○ Retighten the hex. socket set screws or replace the drive magnet (Contact us).</li> </ul>
	Rear casing Rear thrust	<ul style="list-style-type: none"> <li>● Wear tracks on an inner surface</li> <li>● Cracks</li> <li>● Wear of the rear thrust</li> <li>● Contamination in rear casing</li> </ul>	<ul style="list-style-type: none"> <li>○ Contact us.</li> <li>○ Replace as necessary.</li> <li>○ Contact us.</li> <li>○ Remove contamination.</li> </ul>
	(Magnet capsule unit) Magnet capsule Bearing	<ul style="list-style-type: none"> <li>● Wear tracks on the rear end or side face of the magnet capsule</li> <li>● Cracks on the rear end or side face of the magnet capsule</li> <li>● Wear of the bearing</li> <li>● Loose fit of the impeller unit</li> </ul>	<ul style="list-style-type: none"> <li>○ Contact us.</li> <li>○ Contact us.</li> <li>○ Replace as necessary.</li> <li>○ Replace or contact us.</li> </ul>
	(Impeller unit) Impeller Mouth ring	<ul style="list-style-type: none"> <li>● Wear of the mouth ring</li> <li>● Cracks</li> <li>● Contamination in the impeller</li> <li>● Impeller deformation</li> </ul>	<ul style="list-style-type: none"> <li>○ Replace as necessary.</li> <li>○ Replace as necessary.</li> <li>○ Remove contamination.</li> <li>○ Replace as necessary.</li> </ul>
	Front case Rear case Liner ring	<ul style="list-style-type: none"> <li>● Contamination</li> <li>● Cracks</li> <li>● Wear, cracks and wear tracks on a liner ring</li> <li>● Swelling or a crack on O ring</li> <li>● Wear tracks on an unlikely portion</li> </ul>	<ul style="list-style-type: none"> <li>○ Remove contamination.</li> <li>○ Replace as necessary.</li> <li>○ Contact us.</li> <li>○ Replace as necessary.</li> <li>○ Contact us.</li> </ul>
	Spindle	<ul style="list-style-type: none"> <li>● Cracks</li> <li>● Wear degree</li> </ul>	<ul style="list-style-type: none"> <li>○ Replace as necessary.</li> <li>○ Replace as necessary.</li> </ul>

# Maintenance

## ■ Wear limits of bearing and spindle

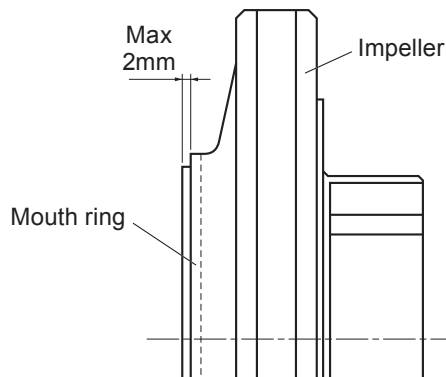
Check wear degree of the bearing and spindle.

Model	MX-F250/-F251/-F400/-F401		MX-F402/-F403	
	Before use	Wear limit	Before use	Wear limit
Bearing inner diameter	18	19	24	25
Spindle outer diameter	18	17	24	23

1. Above values show wear limit of the bearing and spindle.
2. If the clearance between the bearing and the spindle exceeds 1 mm, either of them, whichever has greater wear, should be replaced regardless of the wear limit. For SiC/SiC (KK) type, replace the bearing and spindle at the same time.
3. Sliding parts may suffer initial wear in an initial operation phase but this is not abnormal.

## ■ Wear limit of mouth ring

Check wear degree of the mouth ring.



Model	Mouth ring thickness	
	Initial thickness	Wear limit
MX-F250/-F251/-F400/-F401/-F402/-F403	8mm	6mm

NOTE: The mouth ring is 2 mm (3mm for F250 and F251 types) forward from the impeller when shipped. Before the step has reduced to 0 mm, replace the impeller unit.



# Maintenance

## 3. Spare & Wear parts

Appropriate spare parts are necessary for a long period of continuous operation. We recommend that wear parts be always in stock. Place an order for spares with the following information.

1. Part names and part number (See the diagram below.)
2. Pump model identification code and manufacturing number (See pump nameplate.)
3. Drawing number if you have our approval drawing

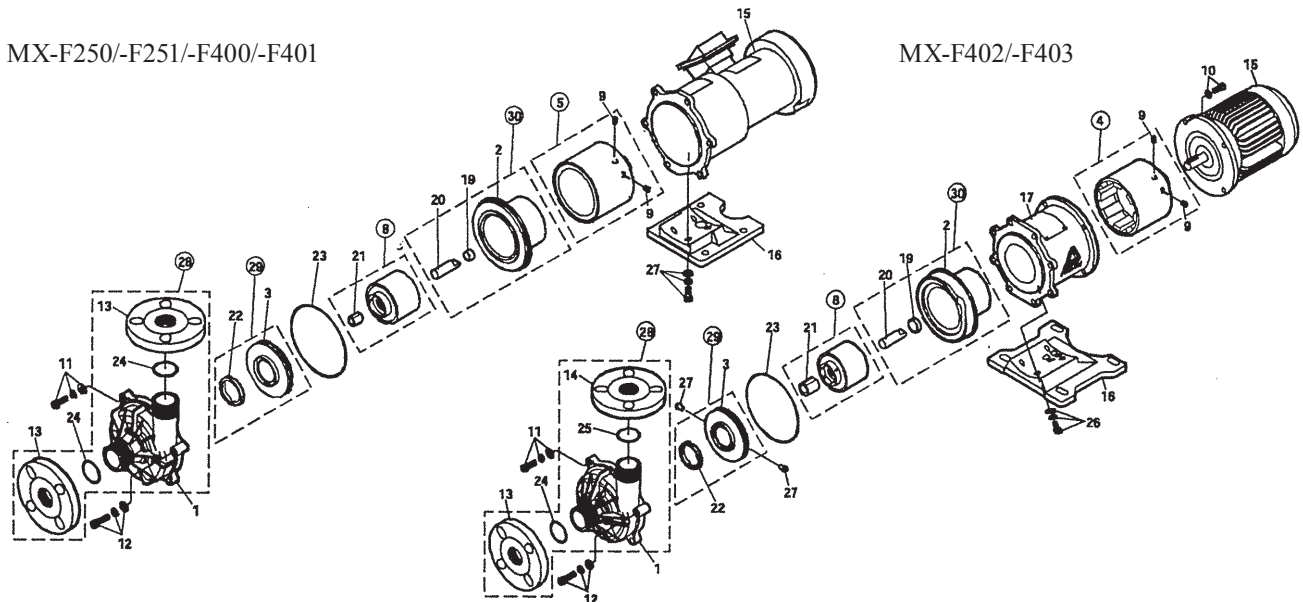
### ■ Spare parts list

No.	Part name	MX-F250	MX-F251	MX-F400	MX-F401	MX-F402	MX-F403	
1	Front casing unit	F	MX0417	MX0429	MX0436	MX0811		
		K	MX0418	MX0430	MX0437	MX0812		
2	Rear casing	MX0419		MX0431	MX0438	MX0815		
29	Impeller unit 50Hz	TR	MX0420	MX0831	MX0432	MX0439	MX0449	MX0458
		TK	MX0421	MX0836	MX0433	MX0440	MX0450	MX0459
29	Impeller unit 60Hz	XR	MX0422	MX0834	MX0434	MX0441	MX0451	MX0460
		XK	MX0423	MX0839	MX0435	MX0442	MX0452	MX0461
8	Magnet capsule unit CF (High density carbon)	MX0424	MX0443	MX0424	MX0443	MX0453	MX0462	
8	Magnet capsule unit RF (Filled fluoroplastics)	MX0425	MX0444	MX0425	MX0444	MX0454	MX0463	
8	Magnet capsule unit KK (SiC)	MX0436	MX0445	MX0426	MX0445	MX0455	MX0464	
23	O ring (for casing)	MX0116		MX0129	MX0116	MX0180		
24	O ring (for flange)	MX0117		MX0130		Suction side (50A) MX0181	Discharge side (40A) MX0130	
20	Spindle	F	MX0118			MX0182		
		K	MX0427			MX0456		
19	Rear thrust	MX0428			MX0457			

The O ring part numbers above are for FKM. Contact us for EPDM and Aflas®.

MX-F250/-F251/-F400/-F401

MX-F402/-F403



# Maintenance

## 4. Dismantlement & Assembly

### **WARNING**

- **Access limitation**

The magnet drive pump has a pair of strong magnets. The strong magnet field could adversely affect the persons who are assisted by electronic devices such as the pacemaker.



- **Turn off power during maintenance work**

Risk of electrical shock. Make sure a power source is turned off and the pump and devices are stopped prior to work.



- **Wear protective clothing**

Coming in contact with a harmful chemical liquid may cause eye or skin trouble. Wear protective clothing such as a protective mask, goggles, gloves during work.



### **CAUTION**

- **Do not catch the finger**

Magnetic force of the pump is powerful. Take care not to catch the finger in the bracket.

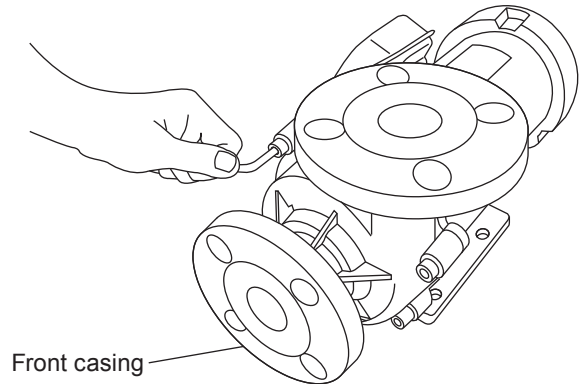


- ▶ Mark each wire so that the wires can be connected correctly to the motor.
- ▶ Do not disassemble the pump beyond the extent shown on this manual.
- ▶ Make sure to close suction and discharge valves before dismantling/assembling the pump. Clean the inside of the pump as well.
- ▶ Magnetic force of the pump is strong. Be careful not to catch the finger in parts. Do not allow iron pieces or powders to stick to a drive and a driven magnet.
- ▶ A pair of strong magnets is mounted in the pump and its magnetic force may affect magnetic disks/cards or wrist watches. Do not bring them close to the pump.

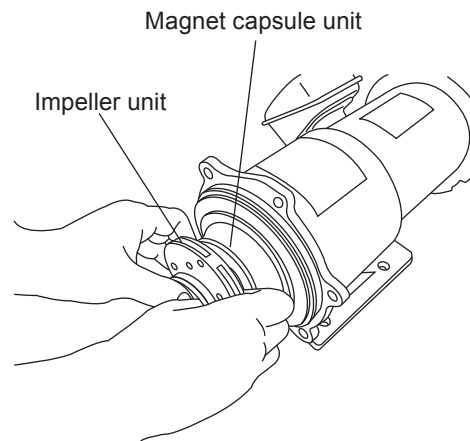
# Maintenance

## ■ Dismantlement

1. Remove hex. socket head bolts from the front casing and remove it from a motor bracket. At this time drain and collect residual liquid and decontaminate wet ends.



2. Pull out the combination of an impeller unit and a magnet capsule unit. Be careful not to catch the finger in the impeller unit and the bracket.



3. Detach the impeller unit from the magnet capsule unit as necessary. Be careful not to damage the units.

- a. MX-F250/-F251/-F400/-F401

Slightly tap the back of the impeller unit by a plastic hammer while holding the magnet capsule unit.

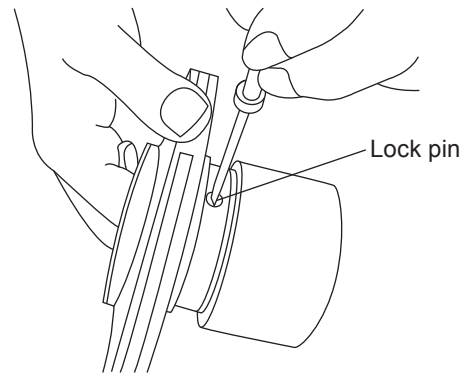
If it is hard to remove, warm them in hot water (about 90°C) for five minutes.

Be careful not to get scalded with hot water..

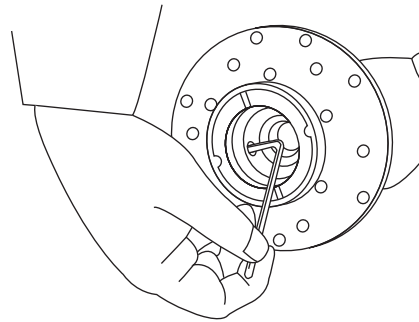
# Maintenance

## b. MX-F402/-F403

Turn two lock pins 90 degrees anticlockwise using a flathead screwdriver and then push them off inwards. If it is hard to do so, slightly tap the end of driver handle.

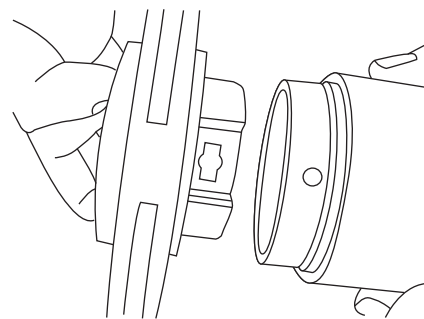


The lock pins can also be turned by using a 4mm hex. wrench from the inner surface of the magnet capsule unit. In this case turn the wrench clockwise. Note the pins will be damaged if they are turned in a reverse direction. After unlocking, push it off from the outside by using a bar.

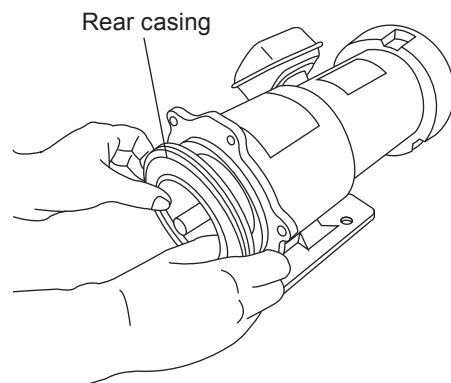


After the lock pins are removed, detach the impeller unit from the magnet capsule unit by slightly tapping the back of the impeller unit with a plastic hammer. If the impeller unit is hardly removed, warm it in hot water (approx. 90°C) for five minutes and tap the back slightly. Be careful not to scald in hot water.

The impeller unit can not be separated from the magnet capsule unit unless the lock pins are removed. Do not have a strong impact to remove the impeller unit.



4. Slide a top of a flathead screw driver in between the rear casing and the motor bracket to pull out the casing. Pay attention not to scratch an O ring surface.



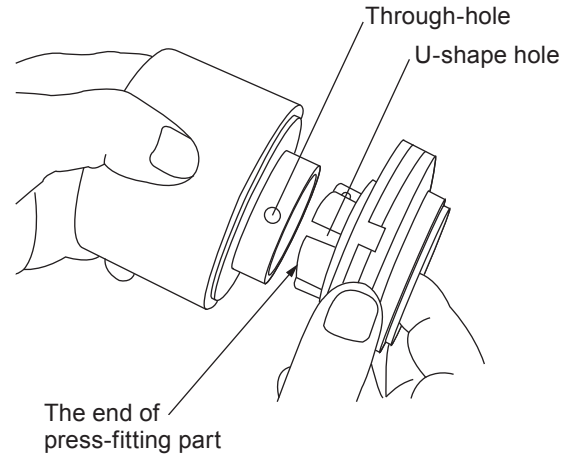
# Maintenance

## ■ Assembly

### 1. Mount the impeller unit to the magnet capsule unit.

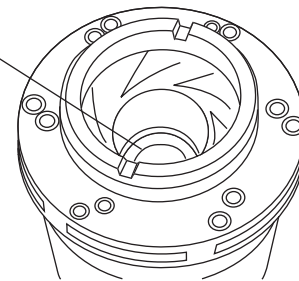
#### a. MX-F250/-F251/-F400/-F401

Slide the impeller unit down into the magnet capsule unit as far as it will go, locating the U-shape holes under the through holes.



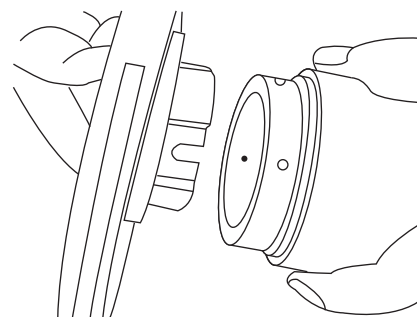
Check that the end of press-fitting parts has come at a bearing surface. If the impeller unit can not be fitted to the magnet capsule unit, warm the magnet capsule unit in hot water (about 90°C for five minutes) for softening. Be careful not to get scalded with hot water.

Check no clearance between the bearing surface and the press-fitting parts.



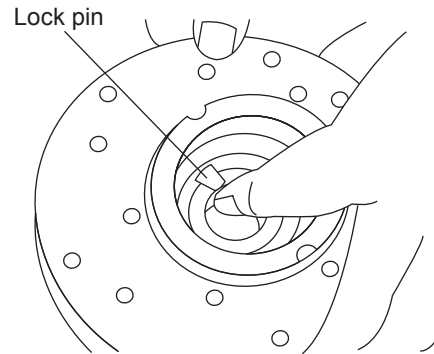
#### b. MX-F402/-F403

The mating surface on the magnet capsule unit has two hole sizes. Large holes (stepped holes with 6mm at outer dia. & 12mm at inner dia) are for the lock pins and the small holes (3mm dia.) are for cooling. Slide down the impeller unit into the magnet capsule as far as it will go, locating the U-shape holes under the smaller holes (3 mm dia.). If it is hard to combine them, warm the magnet capsule unit in hot water (approx. 90°C) for 5 minutes. Be careful not to scald at this time.

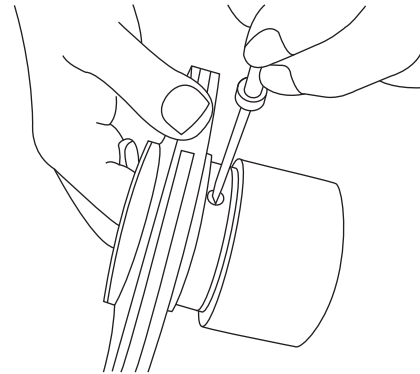


# Maintenance

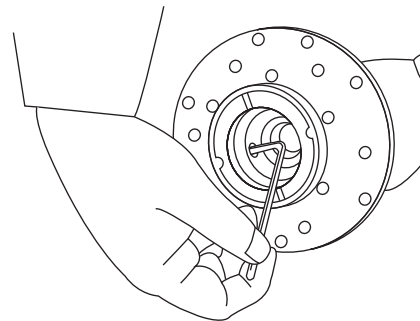
After fitting the impeller unit, insert two lock pins all the way seated in the lock pin holes from an inner surface.



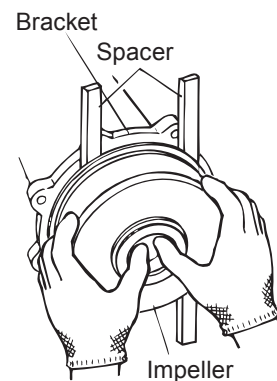
Use a flathead screwdriver to turn the pins 90 degrees clockwise from the outside while holding the pins from the inside. Once it clicks, the impeller unit is secured.



If the screw groove is deformed and can not be used, the pins can be turned from the inner surface with a 4mm hex. wrench. In this case turn the wrench anticlockwise. Note these plastic pins may be broken if it is turned in reverse.



2. Insert the combination of the impeller unit and the magnet capsule unit into the rear casing slowly. Do not allow foreign matters such as iron pieces to adhere to the magnet capsule unit.
3. Mount the rear casing with the combined units in it to the bracket.



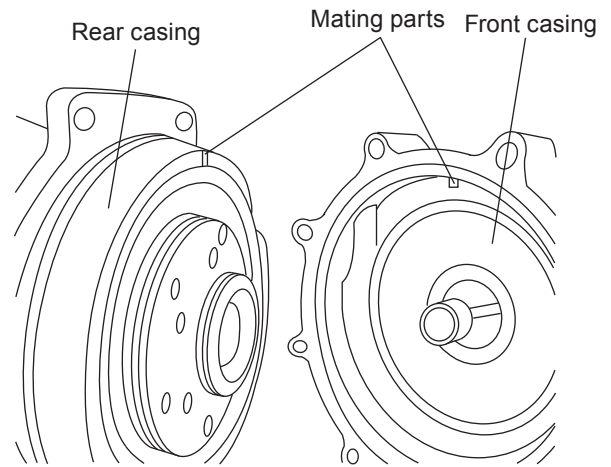
## CAUTION

Magnet force is very powerful. Place plastic or wooden spacers between the rear casing and the motor bracket so as not to catch the fingers.

Pay extra attention to For F402 and F403 in this point.

# Maintenance

4. Fit an O ring to the front casing. Check that sealing surfaces are free of dust or scratches. Make sure that an O ring is in place and will not be out of a groove. Mount the front casing to the rear casing along with a pair of mating parts (except the F400). Note that the F402 and F403 have two pairs of them.



5. Fasten the front casing to the motor bracket.  
Tighten the hex. socket bolts evenly. Tightening torque is shown below.

Model	Tightening torque
MX-F250/-F251/-F400/-F401	11.8N•m
MX-F402/-F403	14.7N•m



IWAKI CO.,LTD. 6-6 Kanda-Sudacho 2-chome Chiyoda-ku Tokyo 101-8558 Japan  
 TEL:(81)3 3254 2935 FAX:3 3252 8892

( )Country codes

Australia	IWAKI Pumps Australia Pty. Ltd.	TEL: (61)2 9899 2411	FAX: 2 9899 2421	Italy	IWAKI Italia S.R.L.	TEL: (39)0444 371115	FAX: 0444 335350
Austria	IWAKI EUROPE GmbH	TEL: (49)2154 9254 0	FAX: 2154 9254 48	Korea	IWAKI Korea Co.,Ltd.	TEL: (82)2 2630 4800	FAX: 2 2630 4801
Belgium	IWAKI Belgium n.v.	TEL: (32)1367 0200	FAX: 1367 2030	Malaysia	IWAKIm Sdn. Bhd.	TEL: (60)3 7803 8807	FAX: 3 7803 4800
China	IWAKI Pumps (Shanghai) Co., Ltd.	TEL: (86)21 6272 7502	FAX: 21 6272 6929	Norway	IWAKI Norge AS	TEL: (47)23 38 49 00	FAX: 23 38 49 01
China	IWAKI Pumps (Guangdong) Co., Ltd.	TEL: (86)750 3866228	FAX: 750 3866278	Singapore	IWAKI Singapore Pte. Ltd.	TEL: (65)6316 2028	FAX: 6316 3221
China	GFTZ IWAKI Engineering & Trading (Guangzhou)	TEL: (86)20 8435 0603	FAX: 20 8435 9181	Spain	IWAKI Iberica Pumps, S.A.	TEL: (34)943 630030	FAX: 943 628799
China	GFTZ IWAKI Engineering & Trading (Beijing)	TEL: (86)10 6442 7713	FAX: 10 6442 7712	Sweden	IWAKI Sverige AB	TEL: (46)8 511 72900	FAX: 8 511 72922
Denmark	IWAKI Nordic A/S	TEL: (45)48 24 2345	FAX: 48 24 2346	Switzerland	IWAKI (Schweiz) AG	TEL: (41)26 674 9300	FAX: 26 674 9302
Finland	IWAKI Suomi Oy	TEL: (358)9 2745810	FAX: 9 2742715	Taiwan	IWAKI Pumps Taiwan Co., Ltd.	TEL: (886)2 8227 6900	FAX: 2 8227 6818
France	IWAKI France S.A.	TEL: (33)1 69 63 33 70	FAX: 1 64 49 92 73	Taiwan	IWAKI Pumps Taiwan (Hsin-chu) Co., Ltd.	TEL: (886)3 573 5797	FAX: (886)3 573 5798
Germany	IWAKI EUROPE GmbH	TEL: (49)2154 9254 0	FAX: 2154 9254 48	Thailand	IWAKI (Thailand) Co.,Ltd.	TEL: (66)2 322 2471	FAX: 2 322 2477
Holland	IWAKI EUROPE NL Branch	TEL: (31)547 293 160	FAX: 547 292 332	U.K.	IWAKI Pumps (UK) LTD.	TEL: (44)1743 231363	FAX: 1743 366507
Hong Kong	IWAKI Pumps Co., Ltd.	TEL: (852)2 607 1168	FAX: 2 607 1000	U.S.A.	IWAKI AMERICA Inc.	TEL: (1)508 429 1440	FAX: 508 429 1386
Indonesia	IWAKI Singapore (Indonesia Branch)	TEL: (62)21 690 6606	FAX: 21 690 6612	Vietnam	IWAKI pumps Vietnam Co.,Ltd.	TEL: (84)613 933456	FAX: 613 933399