

IWAKI
Electromagnetic Metering Pump

ES-B/C Type (Asia version)

Instruction Manual

⚠ Read this manual before use of product

Thank you for selecting the IWAKI's electromagnetic metering pump ES series. This instruction manual deals with "*Safety Instructions*", "*Outline*", "*Installation*", "*Operation*" and "*Maintenance*" sections.

Please read through this manual carefully to ensure the optimum performance, safety and service of your pump.

Contents



Important instructions	1
Safety instructions	2
<i>Outline</i>	
1. Safety and Caution Notes	5
2. Principle of Operation	5
3. Specifications	6
<i>Installation</i>	
1. Unpacking	8
2. Location	8
3. Supply Tubing	9
4. Discharge Tubing	9
5. Electrical	9
<i>Operation</i>	
1. Priming	11
2. Adjustment	11
3. Calibration	12
<i>Maintenance</i>	
1. Diaphragm Replacement	14
2. Valve Replacement	14
3. Tubing	14
4. Troubleshooting	15
5. Model code	16
6. Dimensions	17
7. Exploded view	19
8. Parts list	20

Contact us or your nearest dealer if you have any questions.

Important instructions

For the Safe and Correct Handling of the pump

- "Safety Instruction" section deals with important details about handling of the product. Before the use of the pump, read this section carefully for the prevention of personnel injury or loss.
- Observe the instructions accompanied with "WARNING" or "CAUTION" in this manual. These instructions are very important for protecting pump users from dangerous situations.
- The symbols on this instruction manual have the following meanings:

 WARNING	Nonobservance or misapplication of the contents of "Warning" section could lead to a serious accident which may result in death.
 CAUTION	Nonobservance or misapplication of the contents of "Caution" section could lead to a personal injury or damage to the product.

Types of Symbols



Indicates that "Warning" or "Caution" must be exercised. Inside this triangle, a concrete and practical image provided as a warning or caution message is depicted.



Indicates a prohibited action or procedure. Inside or near this circle, a concrete and practical image of the activity to be avoided is depicted.



Indicates an important action or procedure which must be performed or carried out without fail. Failure to follow the instructions herein can lead to malfunction or damage to the pump.

Safety instructions

WARNING

- **Turn off power**

Working on the pump while the power is ON, you may be shocked. Be sure to turn off the pump and related devices before any work.



- **Terminate operation**

Finding any abnormal condition, stop the operation immediately and inspect/solve problems.



- **For specified application only**

The use of the pump in any application other than those clearly specified may result in injury or damage. Use the pump in a specified condition.



- **No modification**

Do not modify the pump. We are not responsible for any accidents or damage due to modification.



- **Wear protective clothing**

Always wear protective clothing such as safety goggles, protective gloves when arranging piping or dismantling the pump.



- **Do not place the pump close to water**

The pump is not water-proof construction. The use of the pump in a humid place or a place where the pump can get wet, electrical shock or short-circuit may result.



CAUTION

- **Restriction on pump operator**

The pump should be handled by a qualified person with a full understanding of the pump.



- **Specified power only**

Do not apply any power other than the specified one on the nameplate. Otherwise damage or fire may result.



- **Do not run pump dry**

Do not run pump dry. Parts friction heat is generated and damages the pump if the pump runs without liquid.



- **Do not wet the pump**

If a liquid spills over electric parts or wires, a fire or electrical shock may be caused. Install the pump in a place free from liquid spillage.



Safety instructions

CAUTION

- **Ventilate**

Poisoning may result when handling toxic or odorous liquid. Ventilate the operating site sufficiently.



- **Countermeasure against efflux**

Take a protective measure against the accidental efflux caused by the pump or piping breakage.



- **Damaged pumps**

Do not use any damaged pump. Using a damaged pump could lead to an electric leak or shock.



- **Do not damage power cable**

Do not scratch, damage, modify, or pull the power cable. Heating the cable or placing a heavy thing on it may damage the cable and may result in a fire or electrical shock.



- **Install an earth leakage breaker**

Risk of electrical shock. Do not run the product without an optional leakage breaker. Secure a leakage breaker to reduce the risk of electrical shock. Purchase separately.



- **Damaged power cable**

Do not use any damaged power cable for the prevention of a fire or electrical shock. Handle the power cable with care.



- **Wear parts replacement**

Replace wear parts in accordance with instructions. Do not dismantle the pump beyond the extension described on this manual.



- **Limited operating site and storage**

Do not install or store the pump in the following places...

1. Ambient temperature is beyond 0-40 dig.C.
2. Under a flammable atmosphere.



- **Pump disposal**

Any used or damaged pump must be disposed of in accordance with local laws and regulations. (Consult a licensed industrial waste products disposing company.)



Outline

<i>1.Safety and Caution Notes.....</i>	<i>5</i>
<i>2.Principle of Operation.....</i>	<i>5</i>
<i>3.Specifications.....</i>	<i>6</i>

Outline

1. Safety and Caution Notes

Avoid areas where ambient temperature exceeds 40 degrees Celsius or falls below 0 degrees Celsius, or where the pump or tubing would be exposed to direct sunlight.

Disconnect the pump from electrical power source before performing any maintenance.

When working on or around a metering pump, always wear proper protective clothing and equipment as recommended by the supplier of the liquid being pumped.

Depressurize the discharge tubing before disconnecting the tubing or performing any maintenance on the pump.

2. Principle of Operation

The ES series electromagnetic metering pump consists of a pump unit, a driving unit, and a control unit. The drive unit is an electromagnetic solenoid. When the solenoid coil is energized by the control unit the armature shaft moves forward due to the magnetic force of the solenoid. The shaft is attached to a PTFE faced diaphragm which is part of the pump unit. The diaphragm is forced into the pump head cavity decreasing volume and increasing pressure which forces liquid in the pump head out through the discharge check valves. When the solenoid coil is de-energized, a spring returns the armature to its starting position. This action pulls the diaphragm out of the head cavity increasing volume and decreasing pressure. Atmospheric pressure then pushes liquid from the supply tank through the suction check valves to refill the pump head.

Outline

3. Specifications

Capacity/Pressure Rating

Model	B11	B16	B21	B31	C16	C21	C31	C36
Max. capacity L/H	2.28	3.9	5.7	12.0	4.8	7.8	16.2	24.0
Max. capacity ml/min	38	65	95	200	80	130	270	400
Max. discharge pressure MPa	1.0	0.7	0.4	0.2	1.0	0.7	0.35	0.2
Stroke rate	0 - 353 spm							
Stroke length	1.00 mm (Fixed stroke length)				1.25 mm (Fixed stroke length)			
Power supply	207 - 253VAC, 50Hz single phase							
Average power consumption	16 watt				22 watt			
Connection tubing ID×OD	4×9 or 6×8mm			8×13 mm or 9×12mm	4×9 or 6×8mm		8×13 mm or 9×12mm	

- Max. capacity is measured with clean water under the Max. discharge pressure. Actual discharge capacity may increase if the discharge pressure is low.
- Operating conditions
 Ambient temperature: 0 - 40 degrees Celsius
 Relative humidity : 35 - 90 % non-condensing

Liquid End Materials

Liquid End Part	VH	VC
Pump head	PVC	
Diaphragm	PTFE (bonded to EPDM)	
Valve ball	Hastelloy C276	Alumina Ceramics
Valve seat	EPDM	FKM
Valve guide	PVC	PVC
Gasket	PTFE	PTFE
O ring	EPDM	FKM

PTFE: Polyterafluoroethylene

EPDM: Ethylene propylene diene monomer

FKM: Fluoroelastmer

Installation

<i>1.Unpacking.....</i>	<i>8</i>
<i>2.Location.....</i>	<i>8</i>
<i>3.Supply Tubing.....</i>	<i>9</i>
<i>4. Discharge Tubing.....</i>	<i>9</i>
<i>5. Electrical.....</i>	<i>9</i>

Installation

1. Unpacking

Open the shipping carton and inspect contents for damage. If any items are missing or damaged, contact your local distributor to arrange for replacement.

2. Location

Choose a location for the pump which is clean, dry, close to an electrical outlet, and allows convenient access to frequency control and tubing connections. Avoid areas where ambient temperature exceeds 40 deg.C or falls below 0 deg.C, or where the pump or tubing would be exposed to direct sunlight.

Flooded suction (mounting the pump below the level of liquid in the supply tank) is strongly recommended, especially when pumping liquids that readily generate gas bubbles (See Figure 1). Sodium hypochlorite and hydrogen peroxide are common examples of such liquids.

If flooded suction mounting is not possible, a shelf adjacent to (but not directly above) the supply tank often works well (See Figure 2).

The supply tank or cover can also be used if it is provisions for mounting a pump (See Figure 3).

In any cases, the total suction lift should not exceed 1.0m.

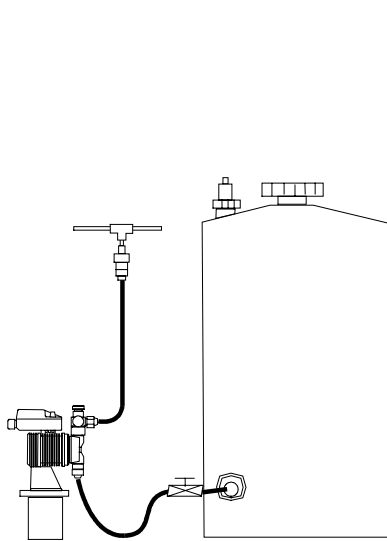


Figure 1
Flooded Suction

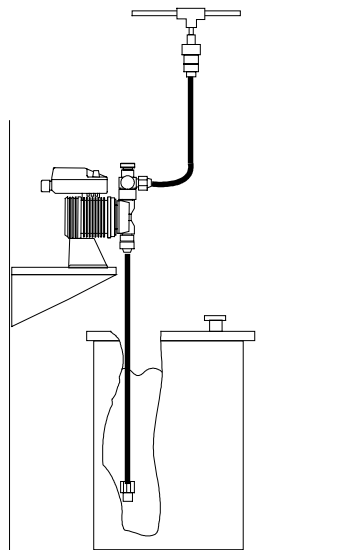


Figure 2
Shelf Mount

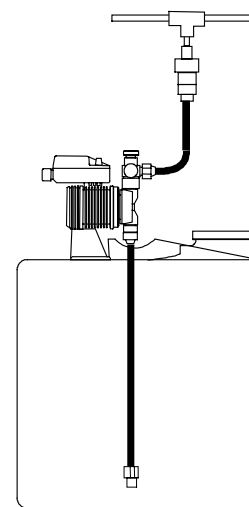


Figure 3
Tank Mount

Installation

3. Supply Tubing

The supply tubing run should be as short as possible. For flooded suction mounting, install a shut-off valve with an appropriate tubing connector at the tank outlet. Cut a length of tubing from the coil supplied and install between the shut-off valve and the pump inlet fitting. For suction lift applications, install a foot valve on one end of suction tubing and cut the tubing to a length such that the foot valve hangs vertically about 25mm above the bottom of the tank. Avoid any loops in the tubing run that could form a vapour trap. Running the tubing through a length of PVC pipe will help to keep tubing straight.

4. Discharge Tubing

The discharge tubing run is less critical and can be any length required to reach the application point. Avoid sharp bends or kinks in the tubing and protect the tubing from sharp edges that could chafe or cut it. Install a check valve (optionally available) at the injection point and connect the discharge tubing to the check valve.

 CAUTION

Any check valve using Hastelloy or other metal springs in liquid end is not usable for chemicals (such as HCL) which corrode the Hastelloy or other metal springs. Ask IWAKI for a special check valve for this application.
--

5. Electrical

Connect the pump power cord to a GROUNDED outlet supplying proper voltage. Avoid branch circuits that also supply power to heavy machinery or other equipment that could generate electrical interference. Be sure to equip the power cord with a noise filter. The DENSEI-LAMBDA MBS1205-22 is recommended. Refer to manufacturer's instruction for the noise filter before use.

Operation

<i>1.Priming.....</i>	<i>11</i>
<i>2.Adjustment.....</i>	<i>11</i>
<i>3.Calibration.....</i>	<i>12</i>

Operation

CAUTION

- Do not operate the pump with a completely closed discharge-side valve. Operating the pump with the discharge-side valve fully closed may lead to liquid leakage or pipe rupture. In addition, more than 30 minutes of closed-discharge operation causes abnormal heat in the pump. This can lead to failure such as leakage when the pump head, valve case or so is deformed or the pump head is loosened. Make sure not to operate the pump with the discharge-side valve closed.
- Do not run the pump dry. A pump, which has been run dry, may experience liquid leakage during its liquid feeding operation. Make it a rule to run the pump after supplying liquid inside the pump.
 - * Dry operation of the pump over a long time (longer than 30 minutes) causes the pump to overheat and the pump unit (pump head, valve guide etc.) to become deformed or the pump head attachment to become loose, which may result in liquid leakage trouble.
- Keep the pump head firmly assembled. If the installation bolts on the pump head are loosened, liquid leakage may result.
 - * Fasten the 4 hex. socket bolts tightly before starting the initial pump operation. (The bolts may be loosened during storage or transportation of the pump, depending upon the condition of each.)
 - * Fastening torque: 2.16N•m (B11•16•21, C16•21)
2.55N•m (B31, C31•36)Tighten all the bolts fully by applying an equal amount of torque in a diagonal order among the bolts.

1. Priming

Install the pump as described above. With the pump turned on, set frequency at 100%. If the pump is equipped with an air vent valve, open the knob 1/2 turn. Liquid should move through the suction tubing and into the pump head. When liquid starts running through the vent tubing, close the air vent knob and continue with output adjustment described below. If the pump has no air vent valve, disconnect the discharge tubing from the injection valve. When liquid enters the discharge tubing at the pump head, set frequency to 0% to stop the pump and reconnect the discharge tubing to the injection valve.

2. Adjustment

If less than full output is required, set the frequency to the approximate percentage of maximum desired.

Operation

3. Calibration

If exact output calibration is required, first prime and adjust the pump as above. Then connect a calibration column to the suction side of the pump. Turn the pump on for one minute and read the amount of liquid pumped from the column. Adjust the frequency up or down as necessary and check the output again. When the desired output is reached, disconnect the calibration column and reconnect the suction tubing (See Figure 4).

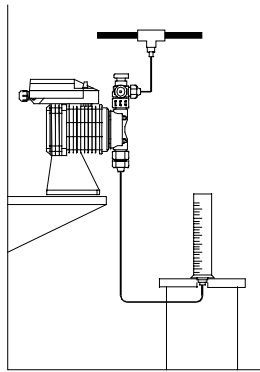


Figure 4
Calibration

Maintenance

<i>1.Diaphragm Replacement.....</i>	<i>14</i>
<i>2.Valve Replacement.....</i>	<i>14</i>
<i>3.Tubing.....</i>	<i>14</i>
<i>4.Troubleshooting.....</i>	<i>15</i>
<i>5.Model Code.....</i>	<i>16</i>
<i>6.Dimensions.....</i>	<i>17</i>
<i>7.Exploded View.....</i>	<i>19</i>
<i>8.Parts List.....</i>	<i>20</i>

Maintenance

⚠ CAUTION

- Before working on the pump, disconnect the power cord, depressurize the discharge tubing and drain or flush any residual liquid for the pump head and valves.

1. Diaphragm Replacement

Remove the power cord from the electrical outlet and disconnect the suction tubing, discharge tubing, and air vent tubing. Remove the four head bolts with a 4mm or 5mm hex wrench. Unscrew the diaphragm and remove its retainer (small disk behind the diaphragm). Install the new retainer and diaphragm on the shaft. Turn the diaphragm clockwise until it bottoms on the shaft. Replace the pump head and tighten the head bolts to a torque of 2.16/2.55 N•m.

2.16N•m (B11•16•21, C16•21)

2.55N•m (B31, C31•36)

2. Valve Replacement

Remove the suction and discharge tubing. Remove the suction fitting, the valve ass'y (consists of 2 × valve ball, 2 × valve seat, 2 × valve guide, 1 × gasket & 1 × O ring). Install the new valve ass'y. Be sure both valve seats are in the same orientation. Refer to Figure 5, below. Tighten the suction fitting. Similarly remove and replace the discharge valve ass'y.

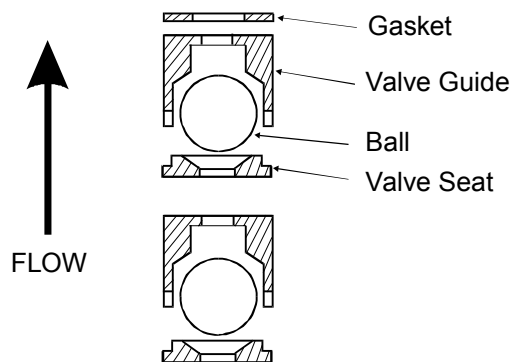


Figure 5
Valve Ass'y Orientation

3. Tubing

Check ends of tubing for splits, cracks or thin spots. Examine the full length of tubing for damage due to chafing, abrasion, stress cracks, excessive temperature or exposure to ultraviolet light (direct sunlight or mercury vapour lamps). If any signs of deterioration exist, replace the entire length of tubing. It is a good idea to replace discharge tubing on a regular preventive schedule every 12 months.

Maintenance

4. Troubleshooting

 CAUTION

- Before working on the pump disconnect the power cord, depressurize the discharge tubing and drain or flush any residual liquid from the pump head and valves.

Problem	Possible Cause	Corrective Action
Pump does not start	<ul style="list-style-type: none"> - Faulty wiring - Improper voltage - Electronic control unit is damaged. 	<ul style="list-style-type: none"> - Correct wiring - Connect to proper voltage source - Replace control unit
Pump does not prime	<ul style="list-style-type: none"> - Air in suction tubing - Valve gasket is not installed - Valve ass'y direction is wrong - Pump is air locked - Suction or discharge valve is clogged with foreign matter - Adhesion of valve onto valve seat 	<ul style="list-style-type: none"> - Reroute suction tubing to eliminate air trap - Install valve gasket - Reassemble valve ass'y - Open air vent valve - Disassemble, inspect, clean - Disassemble, inspect, clean
Output fluctuates	<ul style="list-style-type: none"> - Suction or discharge valve is clogged with foreign matter - Air is trapped in pump - Overfeeding - Diaphragm is damaged 	<ul style="list-style-type: none"> - Disassemble, inspect, clean - Open air vent valve - Install injection valve or back pressure valve - Replace diaphragm
Liquid leaks	<ul style="list-style-type: none"> - Fitting or coupling nut is loose - Pump head is loose - Diaphragm is damaged - O ring or valve gasket missing 	<ul style="list-style-type: none"> - Tighten - Tighten pump head bolts - Torque: 2.16N•m (B11•16•21, C16•21) 2.55N•m (B31, C31•36) - Replace diaphragm - Instal O ring or valve gasket

- !** Check if the pump head mounting bolts are not loosened every 3 months. Tighten them diagonally on the following tightening torques as necessary. The mounting bolts may loosen during operation (An extent of looseness depends on operating condition.).

Tightening torque of the pump head mounting screw

Torque	Torque	Parts name
ES-B11 • 16 • 21	2.16N • m	M4 hex. socket head bolts
ES-B31	2.55N • m	M4 hex. socket head bolts
ES-C16 • 21	2.16N • m	M4 hex. socket head bolts
ES-C31	2.55N • m	M4 hex. socket head bolts
ES-C36	2.55N • m	M5 hex. socket head bolts

Maintenance

5. Model Code

ES-B 16 VC-230 N 3

① ② ③ ④ ⑤ ⑥ ⑦

① Series name

ES: With manual stroke speed control (without stroke length adjustment)

② Drive unit symbol

Average power consumption: B 16W, C 22W

③ Diaphragm effective diameter

11: 10mm **16:** 15mm **21:** 20mm **31:** 30mm **36:** 35mm

④ Liquid end material symbol

See the table of Liquid End Materials presented page 6.

VH: Hastelloy ball valves

VC: Ceramic ball valves

⑤ Power-supply voltage

230: 207-253VAC

⑥ Control unit type

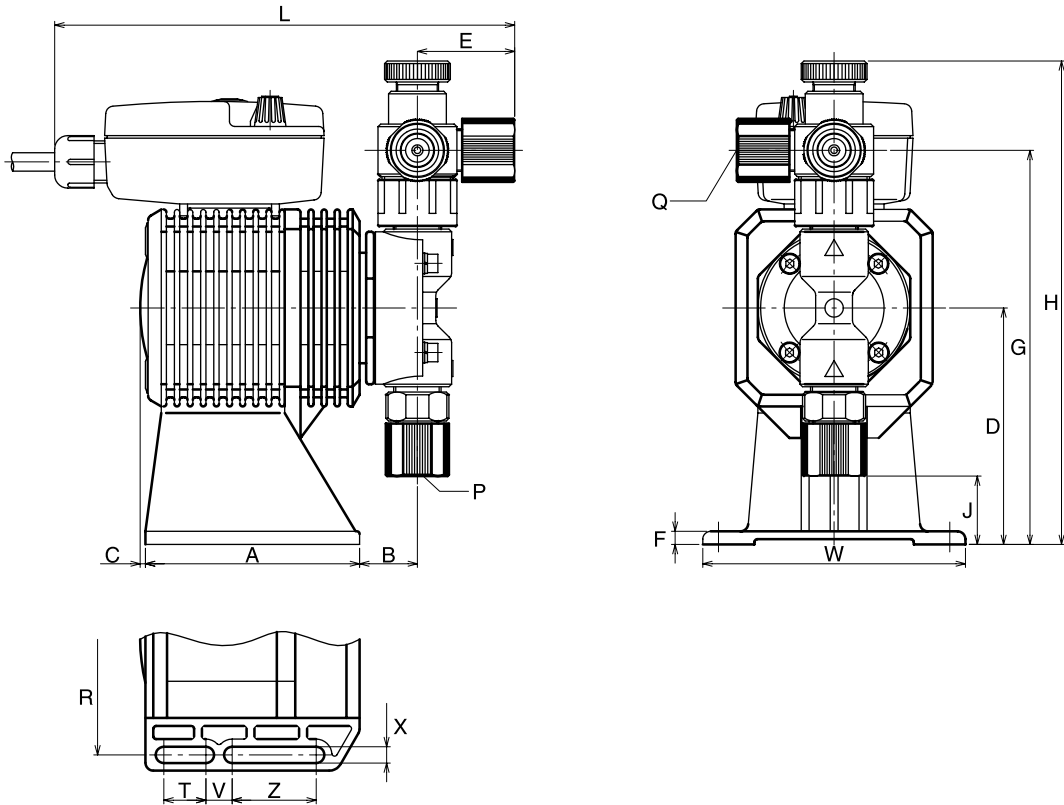
N: Manual stroke speed control

⑦ Connection Tubing inside diameter (ID) × Outside diameter (OD)

1: $\varnothing 4 \times \varnothing 9\text{mm}$	ES-B11, B16, B21, C16, C21
3: $\varnothing 6 \times \varnothing 8\text{mm}$	
4: $\varnothing 8 \times \varnothing 13\text{mm}$	ES-B31, C31, C36
5: $\varnothing 9 \times \varnothing 12\text{mm}$	

Maintenance

6. Dimensions (ES-B type)



Dimensions in mm

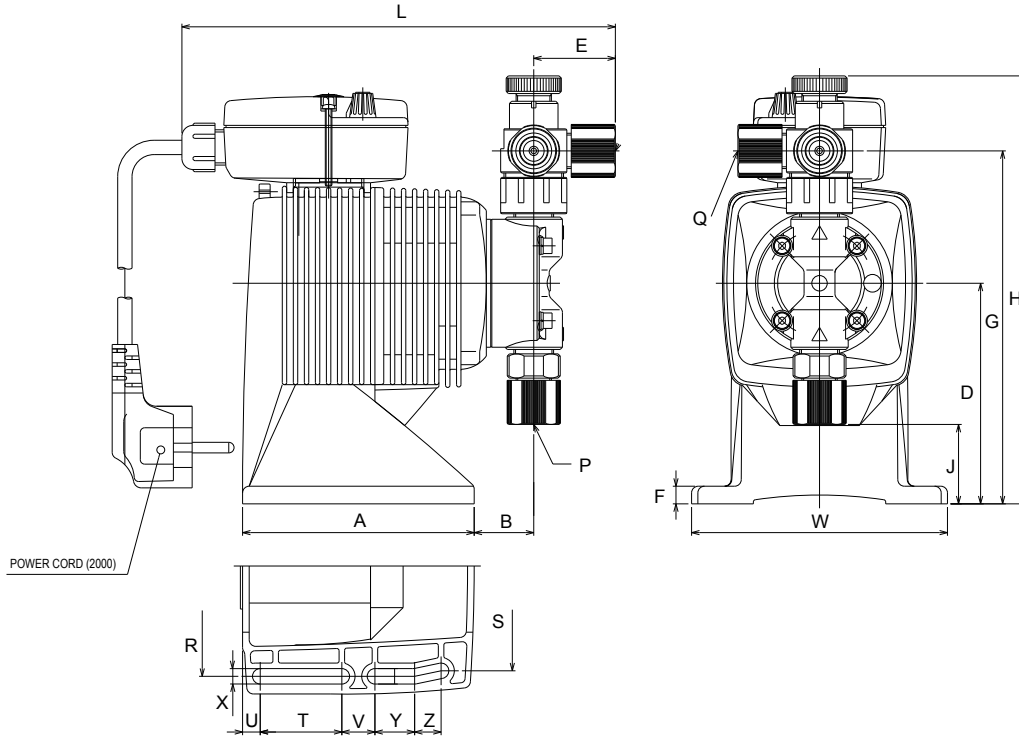
Model	A	B	C	D	E	F	G	H	J	L	P&Q Tubing	W
ES-B11 ES-B16 ES-B21	81.5	22	2	90	37	5	150	184	28	175	Ø4×Ø9 or Ø6×Ø8	100
ES-B31	81.5	26	2	90	16	5	-	172	8	158	Ø8×Ø13 or Ø9×Ø12	100

Mounting hole Dimensions in mm

Model	R	T	V	Z	X
ES all variations	88	16	10	32	6.2

Maintenance

(ES-C type)



Dimensions in mm

Model	A	B	D	E	F	G	H	J	L	P&Q Tubing	W
ES-C16 ES-C21	105	27	100	37	8	160	194	36	196.5	Ø4×Ø9 or Ø6×Ø8	116
ES-C31	105	29	100	16	8	182	186.5	18	177.5	Ø8×Ø13	116
ES-C36	105	28.5	100	16	8	181.5	186.5	18.5	177	or Ø9×Ø12	116

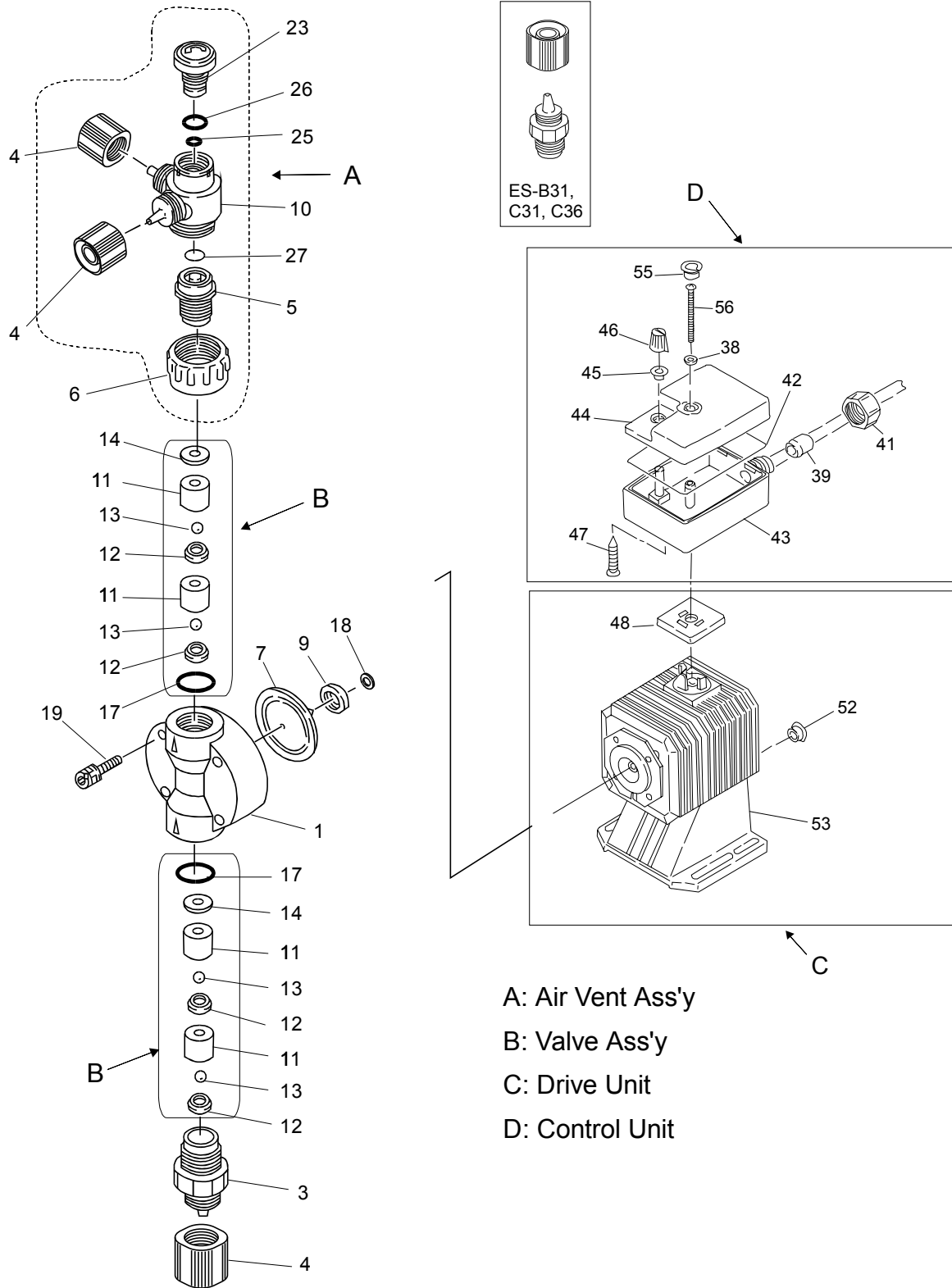
Mounting hole Dimensions in mm

Model	R	X	U	T	V	Y	Z	S
ES all variations	100	7	8	37	15	18	12	95

Maintenance

7. Exploded View

Models with thermoplastic liquid end materials and air vent valve



- A: Air Vent Ass'y
- B: Valve Ass'y
- C: Drive Unit
- D: Control Unit

Notice: Actual fitting nut(4) may differ from illustrated ones.

Maintenance

8. Parts List (ES-B type)

Item	Description	Material	Q'ty per Item			
			B11	B16	B21	B31
1	Head, 11	PVC	1			
	Head, 16			1		
	Head, 21				1	
	Head, 31					1
3	Fitting, ϕ 4 x ϕ 9	PVC	1			
	Fitting, ϕ 6 x ϕ 8					
	Fitting, ϕ 8 x ϕ 13					2
	Fitting, ϕ 9 x ϕ 12					
4	Fitting nut, ϕ 4 x ϕ 9	PVC	3			
	Fitting nut, ϕ 6 x ϕ 8					
	Fitting nut, ϕ 8 x ϕ 13					2
	Fitting nut, ϕ 9 x ϕ 12					
5	Air vent body B	PVC	1			
6	Lock nut	PVC	1			
7	Diaphragm, 11	PTFE+EPDM	1			
	Diaphragm, 16			1		
	Diaphragm, 21				1	
	Diaphragm, 31					1
9	Retainer, 11	PPS	1			
	Retainer, 16			1		
	Retainer, 21				1	
	Retainer, 31					1
10	Air vent body A	PVC	1			
11	Valve guide	PVC	4			
12	Valve seat VH/VC	EPDM/FKM	4			
13	Valve ball VH/VC	HC/CE	4			
14	Gasket VH/VC	PTFE	2			
17	O-ring, S14 VH/VC	EPDM/FKM	2			
18	Spacer:0.2,0.3,0.5,0.7mm	Brass	1			
19	Bolt, M4X40	SUS316 equivalent	4			
23	Adjusting Screw	PVC	1			
25	O-ring, P4	FKM-A	1			
26	O-ring, P10A	FKM-A	1			
27	O-ring, P7	FKM-A	1			
38	Gasket	EPDM	1			
39	Cord Gasket E ϕ 6mm	NBR	1			
41	Cord Nut	POM	1			
42	Case Gasket	NBR	1			
43	Control unit case	PPE	1			
44	Control unit cover	PPE	1			
45	SF Gasket	EPDM	1			
46	SF Knob	PE	1			
47	Screw 4x25	SUS304 equivalent	1			
48	Terminal Gasket	NBR	1			
53	Pump body	PPG	1			
52	Plug		1			
55	Cap Gasket	EPDM	1			
56	Screw, M3x35	SUS304 equivalent	1			

Maintenance

(ES-C type)

Item	Description	Material	Q'ty per Item			
			C16	C21	C31	C36
1	Head, 16	PVC	1			
	Head, 21			1		
	Head, 31				1	
	Head, 36					1
3	Fitting, ϕ 4 x ϕ 9	PVC	1			2
	Fitting, ϕ 6 x ϕ 8					
	Fitting, ϕ 8 x ϕ 13					
	Fitting, ϕ 9 x ϕ 12					
4	Fitting nut, ϕ 4 x ϕ 9	PVC	3			2
	Fitting nut, ϕ 6 x ϕ 8					
	Fitting nut, ϕ 8 x ϕ 13					
	Fitting nut, ϕ 9 x ϕ 12					
5	Air vent body B	PVC	1			
6	Lock nut	PVC	1			
7	Diaphragm, 16	PTFE+EPDM	1			
	Diaphragm, 21			1		
	Diaphragm, 31				1	
	Diaphragm, 36					1
9	Retainer, 16	PPS	1			
	Retainer, 21			1		
	Retainer, 31				1	
	Retainer, 36					1
10	Air vent body A	PVC	1			
11	Valve guide	PVC	4			
12	Valve seat VH/VC	EPDM/FKM	4			
13	Valve ball VH/VC	HC/CE	4			
14	Gasket VH/VC	PTFE	2			
17	O-ring, S14 VH/VC	EPDM/FKM	2			
	O-ring, P16 VH/VC				2	
18	Spacer:0.2,0.3,0.5,0.7mm	Brass	1			
19	Bolt, M4X35	SUS316 equivalent	4			
	Bolt, M5X35				4	
23	Adjusting Screw	PVC	1			
25	O-ring, P4	FKM-A	1			
26	O-ring, P10A	FKM-A	1			
27	O-ring, P7	FKM-A	1			
38	Gasket	EPDM	1			
39	Cord Gasket E ϕ 6mm	NBR	1			
41	Cord Nut	POM	1			
42	Case Gasket	NBR	1			
43	Control unit case	PPE	1			
44	Control unit cover	PPE	1			
45	SF Gasket	EPDM	1			
46	SF Knob	PE	1			
47	Screw 4x25	SUS304 equivalent	1			
48	Terminal Gasket	NBR	1			
53	Pump body	PPG	1			
52	Plug		1			
55	Cap Gasket	EPDM	1			
56	Screw, M3x35	SUS304 equivalent	1			



IWAKI CO.,LTD. 6-6 Kanda-Sudacho 2-chome Chiyoda-ku Tokyo 101-8558 Japan

TEL:(81)3 3254 2935 FAX:3 3252 8892(<http://www.iwakupumps.jp>)

U.S.A. : IWAKI America Inc.	TEL : (1)508 429 1440 FAX : 508 429 1386	Germany : IWAKI EUROPE GmbH	TEL : (49)2154 9254 0 FAX : 2154 1028
Australia : IWAKI Pumps Australia Pty. Ltd.	TEL : (61)2 9899 2411 FAX : 2 9899 2421	Italy : IWAKI Italia S.R.L.	TEL : (39)02 990 3931 FAX : 02 990 42888
Singapore : IWAKI Singapore Pte. Ltd.	TEL : (65)763 2744 FAX : 763 2372	Denmark : IWAKI Pumper A/S	TEL : (45)48 24 2345 FAX : 48 24 2346
Indonesia : IWAKI Singapore (Indonesia Branch)	TEL : (62)21 690 6607 FAX : 21 690 6612	Sweden : IWAKI Sverige AB	TEL : (46)8 511 72900 FAX : 8 511 72922
Malaysia : IWAKIm Sdn. Bhd.	TEL : (60)3 7803 8807 FAX : 3 7803 4800	Finland : IWAKI Suomi Oy	TEL : (358)9 2742714 FAX : 9 2742715
Taiwan : IWAKI Pumps Taiwan Co., Ltd.	TEL : (886)2 8227 6900 FAX : 2 8227 6818	Norway : IWAKI Norge AS	TEL : (47)66 81 16 60 FAX : 66 81 16 61
Thailand : IWAKI (Thailand) Co.,Ltd.	TEL : (66)2 320 1303 FAX : 2 322 2477	France : IWAKI France S.A.	TEL : (33)1 69 63 33 70 FAX : 1 64 49 92 73
Hong Kong : IWAKI Pumps Co., Ltd.	TEL : (852)2 607 1168 FAX : 2 607 1000	U.K. : IWAKI PUMPS (UK) LTD.	TEL : (44)1743 231363 FAX : 1743 366507
China : GFTZ IWAKI Engineering & Trading Co., Ltd.	TEL : (86)20 8435 0603 FAX : 20 8435 9181	Switzerland : IWAKI (Schweiz) AG	TEL : (41)32 3235024 FAX : 32 3226084
China : IWAKI Pumps Co., Ltd. (Beijing office)	TEL : (86)10 6442 7713 FAX : 10 6442 7712	Austria : IWAKI (Austria) GmbH	TEL : (43)2236 33469 FAX : 2236 33469
China : IWAKI Pumps (Shanghai) Co., Ltd.	TEL : (86)21 6272 7502 FAX : 21 6272 6929	Holland : IWAKI Holland B.V.	TEL : (31)297 241121 FAX : 297 273902
Philippines : IWAKI Chemical Pumps Philippines, Inc.	TEL : (63)2 888 0245 FAX : 2 843 3096	Spain : IWAKI Iberica Pumps, S.A.	TEL : (34)943 630030 FAX : 943 628799
Korea : IWAKI Korea Co.,Ltd.	TEL : (82)2 3474 0523 FAX : 2 3474 0221	Belgium : IWAKI Belgium n.v.	TEL : (32)1430 7007 FAX : 1430 7008
Vietnam : IWAKI Pumps Vietnam Joint Venture Co.,Ltd.	TEL : (84)613 933456 FAX : 613 933399		

T630 '07/05